



LuxSpace Accent Mini

RS751B LED39S/930 PSE-E NB WH

LuxSpace Accent Mini, 38.5 W, 3900 lm, 3000 K, Narrow beam, White

Retailers are increasingly having to contend with rising energy prices. At the same time, they need to retain the quality of light they are used to, flexibility in architectural integration, and the right light effects to catch the customer's eye. Last but not least, they need future-proof solutions that will enable them to implement differentiating concepts in their store. Delivering high-quality light, punch in the beam and outstanding luminous efficacy, LuxSpace Accent is the ideal energy-efficient solution for today's demanding retail environments, covering a wide variety of lighting applications, including CrispWhite for fashion stores and Food recipes for supermarkets.

Product data

General Information		Value ladder	
Lamp family code	LED40S [LED module, system flux 4000 lm]	Specification	
Light source replaceable	No	CE mark	Yes
Number of gear units	1 unit	Warranty period	5 years
Driver included	Yes	Flammability mark	For mounting on normally flammable surfaces
Remarks	*-Per Lighting Europe guidance paper "Evaluating performance of LED based luminaires - January 2018": statistically there is no relevant difference in lumen maintenance between B50 and for example B10. Therefore, the median useful life (B50) value also represents the B10 value.	ENEC mark	ENEC mark
Service tag	Yes	Glow-wire test	Temperature 650 °C, duration 5 s
Product family code	RS751B [LuxSpace Accent Performance G3]	EU RoHS compliant	Yes
Lighting Technology	LED	Light Technical	
		Luminous Flux	3,900 lm
		Correlated Color Temperature (Nom)	3000 K
		Luminous Efficacy (rated) (Nom)	101 lm/W
		Color rendering index (CRI)	≥90

LuxSpace Accent Mini

Number of light sources	1
Beam angle of light source	120 degree(s)
Light source color	930 warm white
Optic type	Narrow beam
Optical cover type	-
Luminaire light beam spread	12°
Unified glare rating CEN	Not applicable

Operating and Electrical

Input Voltage	220 to 240 V
Line Frequency	50 to 60 Hz
Initial CLO power consumption	- W
Average CLO power consumption	- W
Inrush current	4.4 A
Inrush time	25 ms
Power Consumption	38.5 W
Power Factor (Fraction)	0.9
Connection	Push-in connector and pull relief
Cable	-
Number of products on MCB of 16 A type B	36

Temperature

Ambient temperature range	+10 to +40 °C
---------------------------	---------------

Controls and Dimming

Dimmable	No
Driver/power unit/transformer	Power supply unit DC compatible, external
Control interface	-
Constant light output	No

Mechanical and Housing

Housing Material	Aluminum
Reflector material	Polycarbonate aluminum coated
Optic material	Polycarbonate
Optical cover material	Polymethyl methacrylate
Fixation material	-

Housing Color	White
Optical cover finish	Clear
Overall height	150 mm
Overall diameter	168 mm

Approval and Application

Ingress protection code	IP20 [Finger-protected]
Mech. impact protection code	IK02 [0.2 J standard]
Protection class IEC	Safety class II

Initial Performance (IEC Compliant)

Luminous flux tolerance	+/-10%
Initial chromaticity	(0.43, 0.40) SDCM <3
Power consumption tolerance	+/-10%

Over Time Performance (IEC Compliant)

Control gear failure rate at median useful life 50000 h	5 %
Lumen maintenance at median useful life* 50000 h	L80

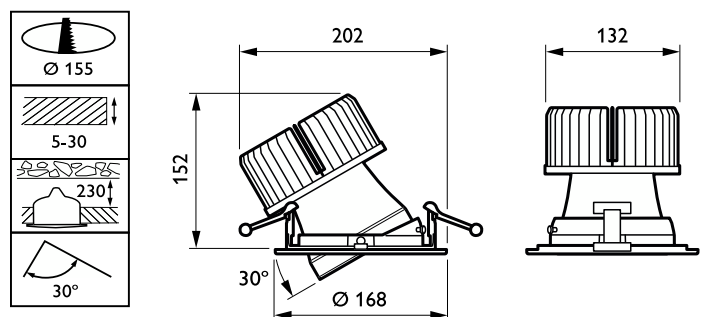
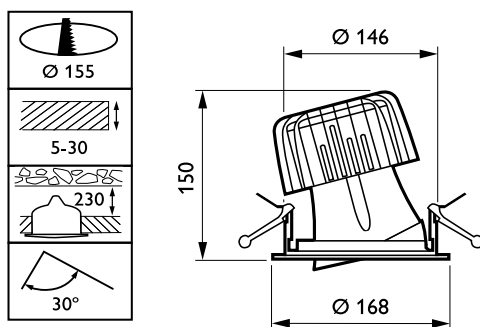
Application Conditions

Performance ambient temperature Tq	25 °C
Suitable for random switching	No

Product Data

Order product name	RS751B LED39S/930 PSE-E NB WH
Full product name	RS751B LED39S/930 PSE-E NB WH
Full product code	871869916716500
Order code	16716500
Material Nr. (12NC)	910500459427
Numerator - Quantity Per Pack	1
EAN/UPC - Product/Case	8718699167165
Numerator - Packs per outer box	1
EAN/UPC - Case	8718699167165

Dimensional drawing



LuxSpace Accent Mini

