



# LuxSpace Accent Mini

## RS751B LED49S/827 PSE-E WB WH LIN

LuxSpace Accent Mini, 40 W, 4750 lm, 2700 K, Wide beam, White

Retailers are increasingly having to contend with rising energy prices. At the same time, they need to retain the quality of light they are used to, flexibility in architectural integration, and the right light effects to catch the customer's eye. Last but not least, they need future-proof solutions that will enable them to implement differentiating concepts in their store. Delivering high-quality light, punch in the beam and outstanding luminous efficacy, LuxSpace Accent is the ideal energy-efficient solution for today's demanding retail environments, covering a wide variety of lighting applications, including CrispWhite for fashion stores and Food recipes for supermarkets.

### Product data

General Information	
Lamp family code	LED49S [LED module, system flux 4900 lm]
Light source replaceable	No
Number of gear units	1 unit
Driver included	Yes
Remarks	*-Per Lighting Europe guidance paper "Evaluating performance of LED based luminaires - January 2018": statistically there is no relevant difference in lumen maintenance between B50 and for example B10. Therefore, the median useful life (B50) value also represents the B10 value.
Service tag	Yes
Product family code	RS751B [LuxSpace Accent Performance G3]
Lighting Technology	LED

Value ladder	Specification
CE mark	Yes
Warranty period	5 years
Flammability mark	For mounting on normally flammable surfaces
ENEC mark	ENEC mark
Glow-wire test	Temperature 650 °C, duration 5 s
EU RoHS compliant	Yes

Light Technical	
Luminous Flux	4,750 lm
Correlated Color Temperature (Nom)	2700 K
Luminous Efficacy (rated) (Nom)	119 lm/W
Color rendering index (CRI)	≥80

# LuxSpace Accent Mini

Number of light sources	1
Beam angle of light source	120 degree(s)
Light source color	827 warm white
Optic type	Wide beam
Optical cover type	Linear-lens array oval shape
Luminaire light beam spread	30° x 60°

## Operating and Electrical

Input Voltage	220 to 240 V
Line Frequency	50 to 60 Hz
Initial CLO power consumption	- W
Average CLO power consumption	- W
Inrush current	23.5 A
Inrush time	0.272 ms
Power Consumption	40 W
Power Factor (Fraction)	0.9
Connection	Push-in connector and pull relief
Cable	-
Number of products on MCB of 16 A type B	24

## Temperature

Ambient temperature range	+10 to +40 °C
---------------------------	---------------

## Controls and Dimming

Dimmable	No
Driver/power unit/transformer	Power supply unit DC compatible, external
Control interface	-
Constant light output	No

## Mechanical and Housing

Housing Material	Aluminum
Reflector material	Aluminum
Optic material	Polycarbonate
Optical cover material	Polycarbonate
Fixation material	-
Housing Color	White

Optical cover finish	Clear
Overall height	150 mm
Overall diameter	168 mm

## Approval and Application

Ingress protection code	IP20 [Finger-protected]
Mech. impact protection code	IK02 [0.2 J standard]
Protection class IEC	Safety class II

## Initial Performance (IEC Compliant)

Luminous flux tolerance	+/-10%
Initial chromaticity	(0.46, 0.41) SDCM <3
Power consumption tolerance	+/-10%

## Over Time Performance (IEC Compliant)

Control gear failure rate at median useful life 50000 h	5%
Lumen maintenance at median useful life* 50000 h	L80

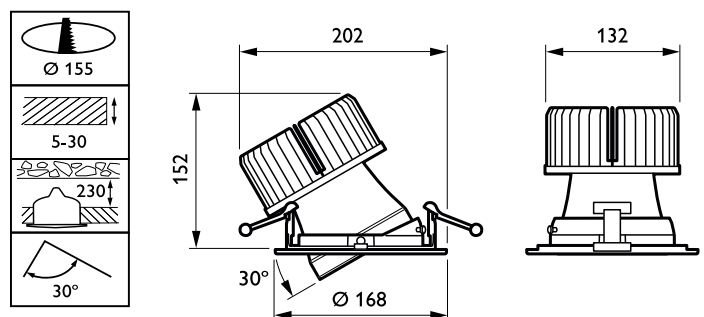
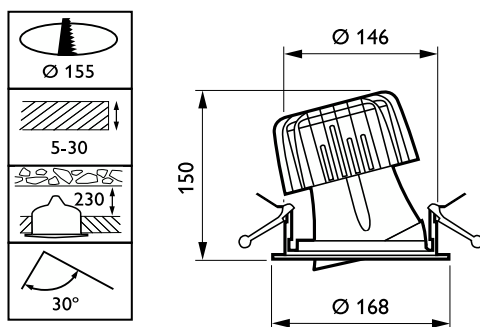
## Application Conditions

Performance ambient temperature Tq	25 °C
Suitable for random switching	Yes

## Product Data

Order product name	RS751B LED49S/827 PSE-E WB WH LIN
Full product name	RS751B LED49S/827 PSE-E WB WH LIN
Full product code	871869916726400
Order code	16726400
Material Nr. (12NC)	910500459437
Numerator - Quantity Per Pack	1
EAN/UPC - Product/Case	8718699167264
Numerator - Packs per outer box	1
EAN/UPC - Case	8718699167264

## Dimensional drawing



## LuxSpace Accent Mini

