



LuxSpace Accent Mini

RS752B LED49S/830 PSE-E WB WH

LuxSpace Accent Mini, 40 W, 4900 lm, 3000 K, Wide beam, White

Retailers are increasingly having to contend with rising energy prices. At the same time, they need to retain the quality of light they are used to, flexibility in architectural integration, and the right light effects to catch the customer's eye. Last but not least, they need future-proof solutions that will enable them to implement differentiating concepts in their store. Delivering high-quality light, punch in the beam and outstanding luminous efficacy, LuxSpace Accent is the ideal energy-efficient solution for today's demanding retail environments, covering a wide variety of lighting applications

Product data

General Information		Light Technical	
Light source replaceable	No	Warranty period	5 years
Number of gear units	1 unit	Flammability mark	For mounting on normally flammable surfaces
Driver included	Yes	ENEC mark	ENEC mark
Remarks	*-Per Lighting Europe guidance paper "Evaluating performance of LED based luminaires - January 2018": statistically there is no relevant difference in lumen maintenance between B50 and for example B10. Therefore, the median useful life (B50) value also represents the B10 value.	Glow-wire test	Temperature 650 °C, duration 5 s
Service tag	Yes	EU RoHS compliant	Yes
Product family code	RS752B [LuxSpace Accent Performance G3]	Luminous Flux	4,900 lm
Lighting Technology	LED	Correlated Color Temperature (Nom)	3000 K
Value ladder	Specification	Luminous Efficacy (rated) (Nom)	123 lm/W
CE mark	Yes	Color rendering index (CRI)	≥80
		Number of light sources	1
		Beam angle of light source	120 degree(s)
		Light source color	830 warm white

LuxSpace Accent Mini

Optic type	Wide beam
Optical cover type	-
Luminaire light beam spread	30°

Operating and Electrical

Input Voltage	220 to 240 V
Line Frequency	50 to 60 Hz
Initial CLO power consumption	- W
Average CLO power consumption	- W
Inrush current	23.5 A
Inrush time	0.272 ms
Power Consumption	40 W
Power Factor (Fraction)	0.9
Connection	Push-in connector and pull relief
Cable	-
Number of products on MCB of 16 A type B	24

Temperature

Ambient temperature range	+10 to +40 °C
---------------------------	---------------

Controls and Dimming

Dimmable	No
Driver/power unit/transformer	Power supply unit DC compatible, external
Control interface	-
Constant light output	No

Mechanical and Housing

Housing Material	Aluminum
Reflector material	Aluminum
Optic material	Polycarbonate
Optical cover material	Polycarbonate
Fixation material	-
Housing Color	White
Optical cover finish	Clear
Overall length	231 mm
Overall width	168 mm

Overall height	126 mm
Overall diameter	168 mm
Dimensions (Height x Width x Depth)	126 x 168 x 231 mm

Approval and Application

Ingress protection code	IP20 [Finger-protected]
Mech. impact protection code	IK02 [0.2 J standard]
Sustainability rating	-
Protection class IEC	Safety class II

Initial Performance (IEC Compliant)

Luminous flux tolerance	+/-10%
Initial chromaticity	(0.43, 0.40) SDCM <3
Power consumption tolerance	+/-10%

Over Time Performance (IEC Compliant)

Control gear failure rate at median useful life 50000 h	5 %
Lumen maintenance at median useful life* 50000 h	L80

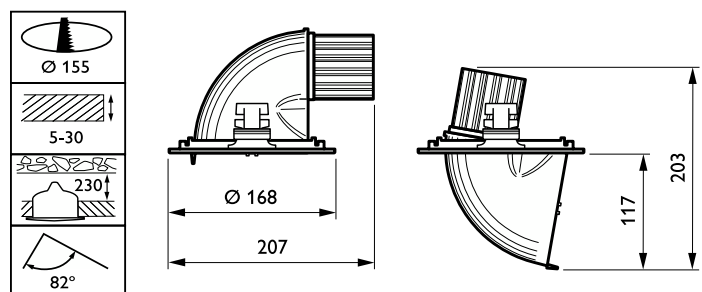
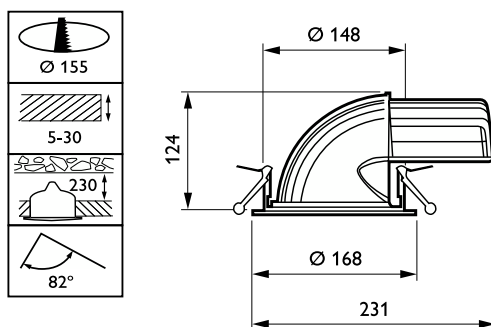
Application Conditions

Performance ambient temperature Tq	25 °C
Suitable for random switching	Yes

Product Data

Order product name	RS752B LED49S/830 PSE-E WB WH
Full product name	RS752B LED49S/830 PSE-E WB WH
Full product code	871869916729500
Order code	910500459440
Material Nr. (12NC)	910500459440
Numerator - Quantity Per Pack	1
EAN/UPC - Product/Case	8718699167295
Numerator - Packs per outer box	1
EAN/UPC - Case	8718699167295

Dimensional drawing



LuxSpace Accent Mini

