



GreenSpace Accent Projector Gen1

ST320T LED39S/830 PSD-VLC WB WH

GREENSPACE ACCENT PROJECTOR, 830 warm white, Power supply unit (On/Off), Wide beam, White

Thanks to the GreenSpace Accent family, retailers and building operators can now make the switch from CDM to LED and enjoy the benefits of Philips PerfectAccent light quality as well as significant energy savings – all for a reasonable initial investment. GreenSpace Accent Projector’s regular 3C adaptor and specific lumen packages make retrofit installation quick and easy. For fashion and food retailers, GreenSpace Accent Projector is available with special light flavors and LED recipes to show the clothes and fresh food produce on offer in the very best light. Check out our Fashion and Food catalogue pages to find out more about CrispWhite, PremiumWhite, Fresh Food Meat and Fresh Food Champagne.

Product data

General Information		Product family code	
Light source replaceable	No	Product family code	ST320T [GREENSPACE ACCENT PROJECTOR]
Number of gear units	1 unit	Lighting Technology	LED
Driver included	Yes	CE mark	Yes
Remarks	*-Per Lighting Europe guidance paper "Evaluating performance of LED based luminaires - January 2018": statistically there is no relevant difference in lumen maintenance between B50 and for example B10. Therefore, the median useful life (B50) value also represents the B10 value.	Warranty period	5 years
Service tag	Yes	Flammability mark	For mounting on normally flammable surfaces
		ENEC mark	ENEC mark
		Glow-wire test	Temperature 650 °C, duration 5 s
		EU RoHS compliant	Yes
		Light Technical	
		Luminous Flux	3,900 lm
		Correlated Color Temperature (Nom)	3000 K

GreenSpace Accent Projector Gen1

Luminous Efficacy (rated) (Nom)	123.80952380952381 lm/W
Color rendering index (CRI)	≥80
Beam angle of light source	120 degree(s)
Light source color	830 warm white
Optic type	Wide beam
Luminaire light beam spread	38°
Unified glare rating CEN	Not applicable

Operating and Electrical

Input Voltage	220-240 V
Line Frequency	50 to 60 Hz
Inrush current	24.9 A
Inrush time	0.186 ms
Power Consumption	31.5 W
Power Factor (Fraction)	0.9
Connection	-
Cable	-
Number of products on MCB of 16 A type B	27

Temperature

Ambient temperature range	+10 to +40 °C
---------------------------	---------------

Controls and Dimming

Dimmable	Yes
Driver/power unit/transformer	Power supply unit (On/Off)
Control interface	DALI
Constant light output	No

Mechanical and Housing

Housing Material	Aluminum
Reflector material	Polycarbonate aluminum coated
Optic material	Polycarbonate
Optical cover material	Polymethyl methacrylate
Fixation material	Polyamide
Housing Color	White
Optical cover finish	Clear
Overall length	182 mm

Overall width	114 mm
Overall height	193 mm
Dimensions (Height x Width x Depth)	193 x 114 x 182 mm

Approval and Application

Ingress protection code	IP20 [Finger-protected]
Mech. impact protection code	IK02 [0.2 J standard]
Protection class IEC	Safety class II

Initial Performance (IEC Compliant)

Luminous flux tolerance	+/-10%
Initial chromaticity	(0.43, 0.40) SDCM<3
Power consumption tolerance	+/-10%

Over Time Performance (IEC Compliant)

Control gear failure rate at median useful life 50000 h	5 %
Lumen maintenance at median useful life* 50000 h	L80

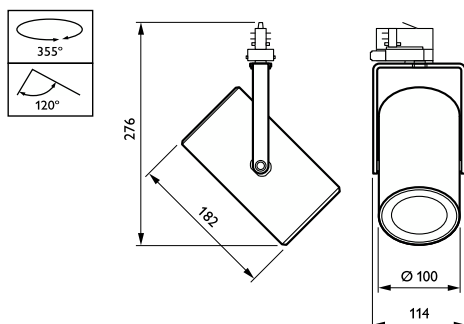
Application Conditions

Performance ambient temperature Tq	25 °C
Maximum dim level	1%
Suitable for random switching	Yes

Product Data

Order product name	ST320T LED39S/830 PSD-VLC WB WH
Full product name	ST320T LED39S/830 PSD-VLC WB WH
Full product code	871869917280000
Order code	910500459788
Material Nr. (12NC)	910500459788
Numerator - Quantity Per Pack	1
EAN/UPC - Product/Case	8718699172800
Numerator - Packs per outer box	1
EAN/UPC - Case	8718699172800

Dimensional drawing



GreenSpace Accent Projector Gen1

