



# GreenSpace Accent Projector

## ST320S LED27S/PW930 PSU MB SI

GSA PROJECTOR MAXOS FUSION - Premium white with CRI  $\geq 90$  - Power supply unit - Medium beam - Silver

Thanks to the GreenSpace Accent family, retailers and building operators can now make the switch from CDM to LED and enjoy the benefits of Philips PerfectAccent light quality as well as significant energy savings – all for a reasonable initial investment. GreenSpace Accent Projector’s regular 3C adaptor and specific lumen packages make retrofit installation quick and easy. For fashion and food retailers, GreenSpace Accent Projector is available with special light flavors and LED recipes to show the clothes and fresh food produce on offer in the very best light. Check out our Fashion and Food catalogue pages to find out more about CrispWhite, PremiumWhite, Fresh Food Meat and Fresh Food Champagne.

### Product data

General Information			
Beam angle of light source	120 °	Glow-wire test	Temperature 650 °C, duration 5 s
Light source color	Premium white with CRI $\geq 90$	Flammability mark	For mounting on normally flammable surfaces
Light source replaceable	No	CE mark	CE mark
Number of gear units	1 unit	ENEC mark	ENEC mark
Driver/power unit/transformer	Power supply unit	Warranty period	5 years
Driver included	Yes	Remarks	*-Per Lighting Europe guidance paper "Evaluating performance of LED based luminaires - January 2018": statistically there is no relevant difference in lumen maintenance between B50 and for example B10. Therefore the median useful life (B50) value also represents the B10 value.
Optic type	Medium beam		
Luminaire light beam spread	24°		
Connection	-		
Cable	-		
Protection class IEC	Safety class II		

# GreenSpace Accent Projector

Constant light output	No
Number of products on MCB of 16 A type B	20
RoHS mark	RoHS mark
Product family code	ST320S [ GSA PROJECTOR MAXOS FUSION]

## Operating and Electrical

Input Voltage	220-240 V
Input Frequency	50 to 60 Hz
Inrush current	22 A
Inrush time	0.260 ms
Power Factor (Min)	0.9

## Controls and Dimming

Dimmable	No
----------	----

## Mechanical and Housing

Housing Material	Aluminum
Reflector material	Polycarbonate aluminum coated
Optic material	Polycarbonate
Optical cover/lens material	Polymethyl methacrylate
Fixation material	Polyamide
Optical cover/lens finish	Clear
Overall length	190 mm
Overall width	114 mm
Overall height	193 mm
Color	Silver

## Approval and Application

Ingress protection code	IP20 [ Finger-protected]
Mech. impact protection code	IK02 [ 0.2 J standard]

## Initial Performance (IEC Compliant)

Initial luminous flux (system flux)	2700 lm
-------------------------------------	---------

Luminous flux tolerance	+/-10%
Initial LED luminaire efficacy	105.88235294117646 lm/W
Init. Corr. Color Temperature	3000 K
Init. Color Rendering Index	≥90
Initial chromaticity	(0.42, 0.39) SDCM<3
Initial input power	25.5 W
Power consumption tolerance	+/-10%

## Over Time Performance (IEC Compliant)

Control gear failure rate at median useful life 50000 h	5 %
Lumen maintenance at median useful life* 50000 h	L80

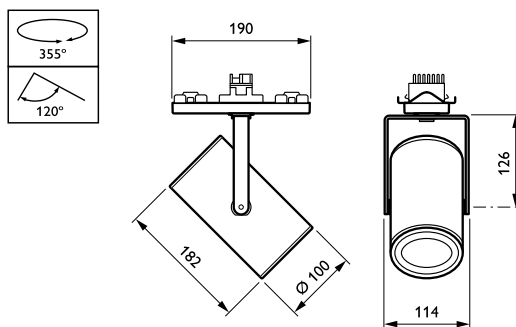
## Application Conditions

Ambient temperature range	+10 to +40 °C
Performance ambient temperature Tq	25 °C
Suitable for random switching	Yes (relates to presence/ movement detection and daylight harvesting)

## Product Data

Full product code	871869917296100
Order product name	ST320S LED27S/PW930 PSU MB SI
EAN/UPC - Product	8718699172961
Order code	910500459803
Numerator - Quantity Per Pack	1
Numerator - Packs per outer box	1
Material Nr. (12NC)	910500459803
Net Weight (Piece)	0.980 kg

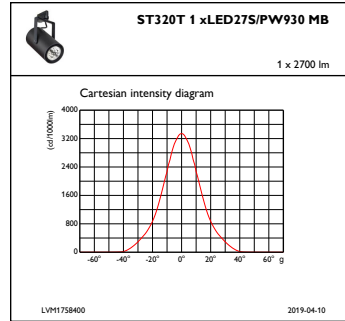
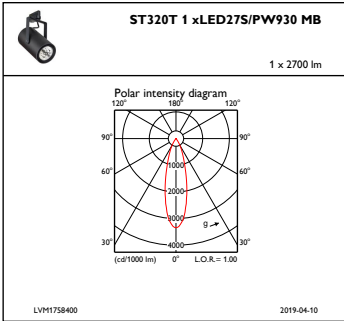
## Dimensional drawing



GreenSpace Accent ST315T-ST330T

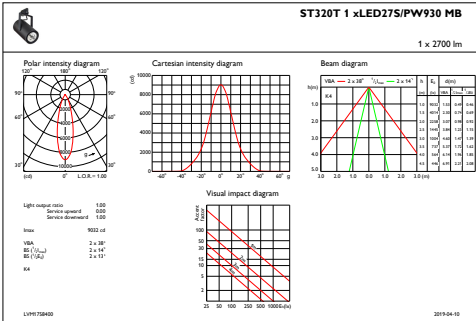
# GreenSpace Accent Projector

## Photometric data



IFPC1\_ST320T1xLED27SPW9MB

IFCC1\_ST320T1xLED27SPW9MB



IFAS1\_ST320T1xLED27SPW9MB

