



GreenSpace Accent Projector Gen1

ST320S LED20S/PW930 PSU NB SI

GSA PROJECTOR MAXOS FUSION, Premium white with CRI ≥ 90 , Power supply unit (On/Off), Narrow beam, Silver

Thanks to the GreenSpace Accent family, retailers and building operators can now make the switch from CDM to LED and enjoy the benefits of Philips PerfectAccent light quality as well as significant energy savings – all for a reasonable initial investment. GreenSpace Accent Projector’s regular 3C adaptor and specific lumen packages make retrofit installation quick and easy. For fashion and food retailers, the GreenSpace Accent Projector is available with special light flavours and LED recipes to show the clothes and fresh food produce on offer in the very best light. Check out our Fashion and Food catalogue pages to find out more about CrispWhite, PremiumWhite, Fresh Food Meat and Fresh Food Champagne.

Product data

General Information		Product family code	
Light source replaceable	No	Product family code	ST320S [GSA PROJECTOR MAXOS FUSION]
Number of gear units	Unit	Lighting Technology	LED
Driver included	Yes	CE mark	Yes
Remarks	*- According to the Lighting Europe guidance paper 'Evaluating performance of LED based luminaires – January 2018': statistically there is no relevant difference in lumen maintenance between the B50 and, for example, the B10. Therefore, the median useful life (B50) value also represents the B10 value.	Warranty period	5 years
		Flammability mark	For mounting on normally flammable surfaces
		ENEC mark	ENEC mark
		Glow-wire test	Temperature 650 °C, duration 5 s
		EU RoHS compliant	Yes
		Light Technical	
		Luminous Flux	2,000 lm
		Correlated Colour Temperature	3000 K

GreenSpace Accent Projector Gen1

Luminous efficacy (rated) (nom.)	93.02325581395348 lm/W
Colour rendering index (CRI)	≥90
Beam angle of light source	120 degree(s)
Light source colour	Premium white with CRI ≥90
Optic type	Narrow beam
Luminaire light beam spread	10°
Unified Glare Rating (CEN)	Not applicable

Operating and Electrical

Input Voltage	220-240 V
Line Frequency	50 to 60 Hz
Inrush current	18.6 A
Inrush time	0.240 ms
Power Consumption	21.5 W
Power Factor (Fraction)	0.9
Connection	-
Cable	-
Number of products on MCB of 16 A type B	32

Temperature

Ambient temperature range	+10 to +40 °C
---------------------------	---------------

Controls and Dimming

Dimmable	No
Driver/power unit/transformer	Power supply unit (On/Off)
Constant light output	No

Mechanical and Housing

Housing material	Aluminium
Reflector material	Aluminium and polycarbonate
Optic material	Polycarbonate
Optical cover/lens material	Polymethyl methacrylate
Fixation material	Polyamide
Housing Colour	Silver
Optical cover/lens finish	Clear
Overall length	190 mm

Overall width	114 mm
Overall height	193 mm
Dimensions (height x width x depth)	193 x 114 x 190 mm

Approval and Application

Ingress protection code	IP20 [Finger-protected]
Mech. impact protection code	IK02 [0.2 J standard]
Protection class IEC	Safety class II

Initial Performance (IEC Compliant)

Luminous flux tolerance	+/-10%
Initial chromaticity	(0.42, 0.39) SDCM<3
Power consumption tolerance	+/-10%

Over Time Performance (IEC Compliant)

Control gear failure rate at median useful life 50,000 h	5 %
Lumen maintenance at median useful life* 50,000 h	L80

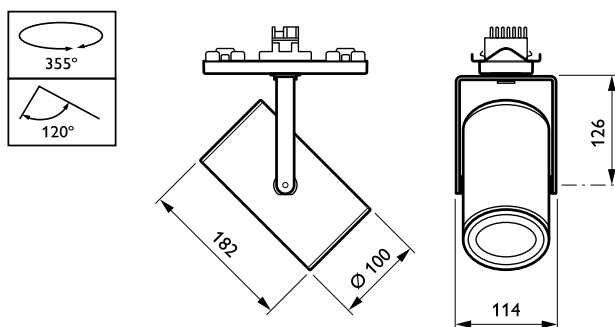
Application Conditions

Performance ambient temperature Tq	25 °C
Suitable for random switching	Yes

Product Data

Order product name	ST320S LED20S/PW930 PSU NB SI
Full product name	ST320S LED20S/PW930 PSU NB SI
Full EOC	871869917299200
Order code	17299200
Material no. (12 NC)	910500459806
SAP numerator – quantity per pack	1
EAN/UPC – Product/Case	8718699172992
Numerator – packs per outer box	1
EAN/UPC - Case	8718699172992

Dimensional drawing



GreenSpace Accent Projector Gen1

