



# GreenSpace Accent Projector Gen1

## ST320S LED39S/PW930 PSU WB BK

GSA PROJECTOR MAXOS FUSION, Premium white with CRI  $\geq 90$ , Power supply unit (On/Off), Wide beam, Black

Thanks to the GreenSpace Accent family, retailers and building operators can now make the switch from CDM to LED and enjoy the benefits of Philips PerfectAccent light quality as well as significant energy savings – all for a reasonable initial investment. GreenSpace Accent Projector's regular 3C adaptor and specific lumen packages make retrofit installation quick and easy. For fashion and food retailers, the GreenSpace Accent Projector is available with special light flavours and LED recipes to show the clothes and fresh food produce on offer in the very best light. Check out our Fashion and Food catalogue pages to find out more about CrispWhite, PremiumWhite, Fresh Food Meat and Fresh Food Champagne.

### Product data

General Information		Light Technical	
Light source replaceable	No	Product family code	ST320S [GSA PROJECTOR MAXOS FUSION]
Number of gear units	Unit	Lighting Technology	LED
Driver included	Yes	CE mark	Yes
Remarks	* - According to the Lighting Europe guidance paper 'Evaluating performance of LED based luminaires – January 2018': statistically there is no relevant difference in lumen maintenance between the B50 and, for example, the B10. Therefore, the median useful life (B50) value also represents the B10 value.	Warranty period	5 years
		Flammability mark	For mounting on normally flammable surfaces
		ENEC mark	ENEC mark
		Glow-wire test	Temperature 650 °C, duration 5 s
		EU RoHS compliant	Yes
		Luminous Flux	3,900 lm

# GreenSpace Accent Projector Gen1

Correlated Colour Temperature	3000 K
Luminous efficacy (rated) (nom.)	101 lm/W
Colour rendering index (CRI)	≥90
Beam angle of light source	120 degree(s)
Light source colour	Premium white with CRI ≥90
Optic type	Wide beam
Luminaire light beam spread	38°
Unified Glare Rating (CEN)	Not applicable

## Operating and Electrical

Input Voltage	220 to 240 V
Line Frequency	50 to 60 Hz
Average CLO power consumption	- W
Inrush current	12 A
Inrush time	100 ms
Power Consumption	38.5 W
Power Factor (Fraction)	0.9
Connection	-
Cable	-
Number of products on MCB of 16 A type B	24

## Temperature

Ambient temperature range	+10 to +40 °C
---------------------------	---------------

## Controls and Dimming

Dimmable	No
Driver/power unit/transformer	Power supply unit (On/Off)
Constant light output	No

## Mechanical and Housing

Housing material	Aluminium
Reflector material	Aluminium and polycarbonate
Optic material	Polycarbonate
Optical cover/lens material	Polymethyl methacrylate
Fixation material	Polyamide
Housing Colour	Black
Optical cover/lens finish	Clear

Overall length	190 mm
Overall width	114 mm
Overall height	193 mm
Dimensions (height x width x depth)	193 x 114 x 190 mm

## Approval and Application

Ingress protection code	IP20 [Finger-protected]
Mech. impact protection code	IK02 [0.2 J standard]
Sustainability rating	-
Protection class IEC	Safety class II

## Initial Performance (IEC Compliant)

Luminous flux tolerance	+/-10%
Initial chromaticity	(0.42, 0.39) SDCM<3
Power consumption tolerance	+/-10%

## Over Time Performance (IEC Compliant)

Control gear failure rate at median useful life 50,000 h	5 %
Lumen maintenance at median useful life* 50,000 h	L80

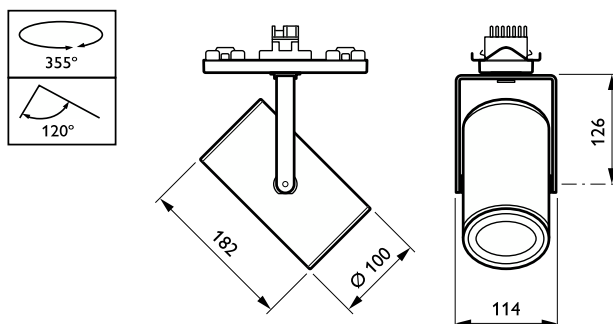
## Application Conditions

Performance ambient temperature Tq	25 °C
Suitable for random switching	No

## Product Data

Order product name	ST320S LED39S/PW930 PSU WB BK
Full product name	ST320S LED39S/PW930 PSU WB BK
Full EOC	871869917314200
Order code	17314200
Material no. (12 NC)	910500459821
SAP numerator – quantity per pack	1
EAN/UPC – Product/Case	8718699173142
Numerator – packs per outer box	1
EAN/UPC - Case	8718699173142

## Dimensional drawing



# GreenSpace Accent Projector Gen1

