



StyliD

ST740S LED27S/830 PSU MB WH

StyliD Comp. Maxos fusion – 830 warm white – Power supply unit – Medium beam – White

Retailers are increasingly having to contend with rising energy prices. At the same time, they need to retain the quality of light they are used to, flexibility in architectural integration, and the right light effects to catch the customer’s eye. Last but not least, they need future-proof solutions that will enable them to implement differentiating concepts in their store. Delivering high-quality light, punch in the beam and outstanding luminous efficacy, StyliD is the ideal energy-efficient solution for today’s demanding retail environments, covering a variety of lighting applications, with including CrispWhite for fashion stores and Food recipes for supermarkets.

Product data

General Information			
Beam angle of light source	120 °	Flammability mark	F [For mounting on normally flammable surfaces]
Light source colour	830 warm white	CE mark	CE mark
Light source replaceable	No	ENEC mark	ENEC mark
Number of gear units	1 unit	Warranty period	5 years
Driver/power unit/transformer	PSU [Power supply unit]	Remarks	*-Per Lighting Europe guidance paper “Evaluating performance of LED based luminaires – January 2018”: statistically there is no relevant difference in lumen maintenance between B50 and for example B10. Therefore, the median useful life (B50) value also represents the B10 value.
Driver included	Yes	Constant light output	No
Optic type	MB [Medium beam]	Number of products on MCB (16 A type B)	34
Luminaire light beam spread	30°	EU RoHS compliant	Yes
Connection	PIP [Push-in connector and pull relief]		
Cable	-		
Protection class IEC	Safety class II (II)		
Glow-wire test	650/30 [Temperature 650 °C., duration 30 s]		

Product family code	ST740S [StyliD Comp. Maxos fusion]
Unified glare rating CEN	Not applicable

Operating and Electrical

Input Voltage	220 to 240 V
Input frequency	50 to 60 Hz
Inrush current	18 A
Inrush time	0.25 ms
Power factor (min.)	0.9

Controls and Dimming

Dimmable	No
----------	----

Mechanical and Housing

Housing material	Metal–Plastic
Reflector material	Polycarbonate aluminum coated
Optic material	Polycarbonate
Optical cover/lens material	Polymethyl methacrylate
Fixation material	-
Optical cover/lens finish	Clear
Overall length	172 mm
Overall width	84 mm
Overall height	184 mm
Colour	White
Dimensions (height x width x depth)	184 x 84 x 172 mm (7.2 x 3.3 x 6.8 in)

Approval and Application

Ingress protection code	IP20 [Finger-protected]
Mech. impact protection code	IK02 [0.2 J standard]

Initial Performance (IEC Compliant)

Initial luminous flux	2700 lm
-----------------------	---------

Luminous flux tolerance	+/-10%
Initial LED luminaire efficacy	120 lm/W
Init. Corr. Colour Temperature	3000 K
Init. Colour rendering index	≥80
Initial chromaticity	(0.43, 0.40) SDCM <3
Initial input power	22.5 W
Power consumption tolerance	+/-10%

Over Time Performance (IEC Compliant)

Control gear failure rate at median useful life 50,000 h	5 %
Lumen maintenance at median useful life* 50,000 h	L80

Application Conditions

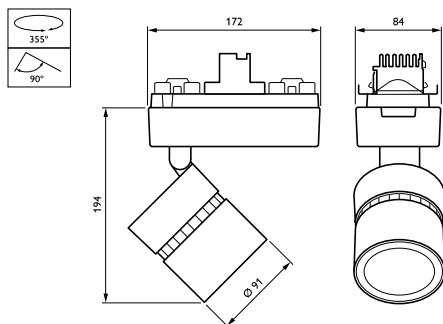
Ambient temperature range	+10 to +40 °C
Performance ambient temperature Tq	25 °C
Suitable for random switching	Yes

Product Data

Full product code	871869917811600
Order product name	ST740S LED27S/830 PSU MB WH
EAN/UPC – product	8718699178116
Order code	17811600
Numerator – quantity per pack	1
SAP numerator – packs per outer box	1
Material no. (12 NC)	910500465021
SAP net weight (piece)	1.200 kg



Dimensional drawing



StyliD ST730C-ST750T

