



EcoStyle

ST440S LED27S/840 PSU MB BK

EcoStyle track mounting - 840 neutral white - Power supply unit - Medium beam - Safety class II - Black

Retailers are looking for an affordable LED accent-lighting solution with a reasonable payback compared to conventional technologies. Now, thanks to EcoStyle, they need look no further. With a LED light source and dedicated reflector system, EcoStyle delivers powerful, good-quality accent lighting, enabling retailers to display their merchandise in the best possible light. For food and fashion retailers, EcoStyle is available with special light recipes to further enhance the store ambience and to show the produce and goods on offer in the very best light: Fresh Food Champagne is the perfect LED solution for displaying fruit, vegetables, cheese, bread and pastries in a warm lighting ambience; Fresh Food Meat creates the best light setting for meat enhancement in a cool natural ambience; CrispWhite is the clear choice for fashion retailers to make colors appear rich and intense while keeping whites bright. The track-mounted EcoStyle is also available in a choice of black or white finish. And the combination of efficient LED technology and an innovative heatsink ensures that this is a reliable, lasting solution.

Product data

General Information			
Beam angle of light source	120 °	Cable	-
Light source colour	840 neutral white	Protection class IEC	Safety class II
Light source replaceable	No	Glow-wire test	Temperature 650 °C, duration 5 s
Number of gear units	1 unit	Flammability mark	F [For mounting on normally flammable surfaces]
Driver/power unit/transformer	PSU [Power supply unit]	CE mark	CE mark
Driver included	Yes	ENEC mark	ENEC mark
Optic type	MB [Medium beam]	Warranty period	5 years
Luminaire light beam spread	20°	Remarks	*-Per Lighting Europe guidance paper **Evaluating performance of LED based
Connection	-		

	luminaire - January 2018 ¹ : statistically there is no relevant difference in lumen maintenance between B50 and for example B10. Therefore the median useful life (B50) value also represents the B10 value.
Constant light output	No
Number of products on MCB	34
RoHS mark	RoHS mark
Product Family Code	ST440T [EcoStyle track mounting]

Operating and Electrical

Input voltage	220 to 240 V
Input frequency	50 to 60 Hz
Inrush current	18 A
Inrush time	0.25 ms
Power factor (min.)	0.95

Controls and Dimming

Dimmable	No
----------	----

Mechanical and Housing

Housing material	Polycarbonate
Reflector material	Polycarbonate aluminium coated
Optic material	Polycarbonate
Optical cover/lens material	Polymethyl methacrylate
Fixation material	Polyamide
Optical cover/lens finish	Clear
Overall length	175 mm
Overall width	112 mm
Overall height	200 mm
Colour	Black

Approval and Application

Ingress protection code	IP20 [Finger-protected]
Mech. impact protection code	IK02 [0.2 J standard]

Initial Performance (IEC Compliant)

Initial luminous flux	2800 lm
Luminous flux tolerance	+/-10%
Initial LED luminaire efficacy	119.14893617021276 lm/W
Init. Corr. colour temperature	4000 K
Init. colour rendering index	80
Initial chromaticity	(0.38, 0.38) SDCM <5
Initial input power	23.5 W
Power consumption tolerance	+/-10%

Over Time Performance (IEC Compliant)

Control gear failure rate at median useful life 50000 h	5 %
Lumen maintenance at median useful life* 50000 h	L80

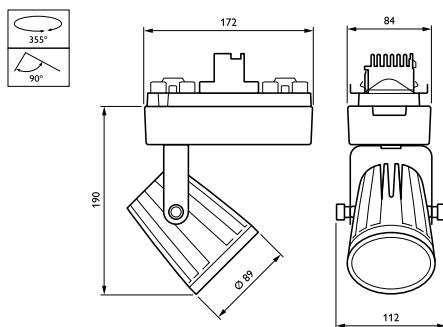
Application Conditions

Ambient temperature range	0 to +35 °C
Performance ambient temperature Tq	25 °C
Suitable for random switching	No

Product Data

Full product code	871869917831400
Order product name	ST440S LED27S/840 PSU MB BK
EAN/UPC – product	8718699178314
Order code	17831400
Numerator – quantity per pack	1
Numerator – packs per outer box	1
Material no. (12NC)	910500465041
Net weight (piece)	1.460 kg

Dimensional drawing



EcoStyle ST440S/ST440T

