



TrueFashion

ST710T LED27S/PW9-3000 PSD FR24 BK

TrueFashion Compact - Premium white with CRI ≥90 - 3000 K - Power supply unit with DALI interface - Beam angle 24° - Black

TrueFashion is a dedicated LED spot family answering the specific needs of Fashion Retailers. These miniaturised spots with clean and fine detailing offer contemporary design and blend seamlessly into your shop interior for a tailor-made look. This spot family provides the best quality of light by using innovative Philips Fashion Proof Optics (FPO). These FPO lenses offer higher intensity beams without spill light to optimise the contrast ratio and will reduce glare within the shop. In addition, the specially designed Philips fashion LED flavours enhance colours and visual qualities. In this way TrueFashion ensures a superior light experience. This dedicated fashion range supports your global expansion plans by being prepared for international certifications. In addition, we offer dedicated logistics and a local presence globally. Fashion is evolving rapidly towards a new balance between online and offline shopping. TrueFashion creates an optimal shopper experience to attract and engage the shopper while bringing the connected future of lighting in the shop by being ready to be connected to Interact Retail Display and Interact Retail EasyAim.

Product data

General Information			
Beam angle of light source	120 °	Connection	Push-in connector and pull relief
Light source colour	Premium white with CRI ≥90	Cable	-
Light source replaceable	No	Protection class IEC	Safety class II
Number of gear units	1 unit	Glow-wire test	Temperature 650 °C, duration 30 s
Driver/power unit/transformer	PSD [Power supply unit with DALI interface]	Flammability mark	NO [-]
Driver included	Yes	CE mark	CE mark
Optic type	24 [Beam angle 24°]	ENEC mark	ENEC mark
Luminaire light beam spread	24°	Warranty period	5 years
Control interface	DALI	Remarks	*-Per Lighting Europe guidance paper *Evaluating performance of LED based

	luminaire - January 2018": statistically there is no relevant difference in lumen maintenance between B50 and for example B10. Therefore the median useful life (B50) value also represents the B10 value.
Constant light output	No
Number of products on MCB	34
RoHS mark	RoHS mark
Product Family Code	ST710T [TrueFashion Compact]

Operating and Electrical

Input voltage	220 to 240 V
Input frequency	50 to 60 Hz
Inrush current	18 A
Inrush time	0.25 ms
Power factor (min.)	0.9

Controls and Dimming

Dimmable	Yes
----------	-----

Mechanical and Housing

Housing material	Aluminium
Reflector material	Polycarbonate aluminium coated
Optic material	Polycarbonate
Optical cover/lens material	Polymethyl methacrylate
Fixation material	-
Optical cover/lens finish	Clear
Overall length	177 mm
Overall width	80 mm
Overall height	188 mm
Colour	Black

Approval and Application

Ingress protection code	IP20 [Finger-protected]
Mech. impact protection code	IK02 [0.2 J standard]

Initial Performance (IEC Compliant)

Initial luminous flux	2700 lm
Luminous flux tolerance	+/-10%
Initial LED luminaire efficacy	92 lm/W
Init. Corr. colour temperature	3000 K
Init. colour rendering index	90
Initial chromaticity	(0.42, 0.38) SDCM <3
Initial input power	29.5 W
Power consumption tolerance	+/-10%

Over Time Performance (IEC Compliant)

Control gear failure rate at median useful life 50000 h	5 %
Lumen maintenance at median useful life* 50000 h	L80

Application Conditions

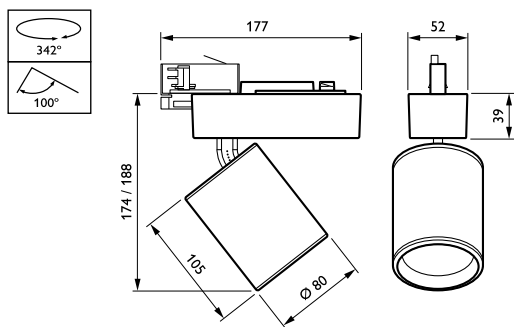
Ambient temperature range	+10 to +40 °C
Performance ambient temperature Tq	25 °C
Maximum dimming level	1%

Product Data

Full product code	871869939531500
Order product name	ST710T LED27S/PW9-3000 PSD FR24 BK
EAN/UPC – product	8718699395315
Order code	39531500
Numerator – quantity per pack	1
Numerator – packs per outer box	1
Material no. (12NC)	910500465225
Net weight (piece)	0.520 kg



Dimensional drawing



TrueFashion ST700T-ST721T

