



CoreLine Waterproof

WT120C LED40S/840 IA1 L1200

Coreline Waterproof - - - 840 neutral white - Power supply unit regulating

Whether for a new building or renovation of an existing space, customers want lighting solutions that provide quality of light and substantial energy and maintenance savings. The new CoreLine Waterproof range of LED products can be used to replace traditional waterproof luminaires with fluorescent lamps. The process of selecting, installing and maintaining is so easy – it’s a simple switch.

Product data

General Information		Warranty period	
Lamp family code	-	Warranty period	5 years
Beam angle of light source	120 °	Remarks	* -Per Lighting Europe guidance paper "Evaluating performance of LED based luminaires - January 2018": statistically there is no relevant difference in lumen maintenance between B50 and for example B10. Therefore the median useful life (B50) value also represents the B10 value.
Light source colour	840 neutral white	Constant light output	No
Light source replaceable	No	Number of products on MCB	22
Number of gear units	1 unit	RoHS mark	RoHS mark
Driver/power unit/transformer	PSR [Power supply unit regulating]	Product Family Code	WT120C [Coreline Waterproof]
Driver included	Yes	Unified glare rating CEN	24
Optic type	No [-]	Operating and Electrical	
Luminaire light beam spread	110°	Input voltage	220 to 240 V
Connection	PI [Push-in connector 3-pole]	Input frequency	50 to 60 Hz
Cable	-	Inrush current	21 A
Protection class IEC	Safety class I (I)		
Glow-wire test	850/30 [Temperature 850 °C, duration 30 s]		
Flammability mark	D [For mounting on easily flammable surfaces]		
CE mark	CE mark		
ENEC mark	ENEC mark		

CoreLine Waterproof

Inrush time	0.28 ms
Power factor (min.)	0.9

Mechanical and Housing

Housing material	Polycarbonate
Reflector material	Steel
Optic material	-
Optical cover/lens material	Polycarbonate
Fixation material	Stainless steel
Optical cover/lens finish	Textured
Overall length	1250 mm
Overall width	87 mm
Overall height	96 mm
Colour	Gray

Approval and Application

Ingress protection code	IP65 [Dust penetration-protected, jet-proof]
Mech. impact protection code	IK08 [5 J vandal-protected]

Initial Performance (IEC Compliant)

Initial luminous flux	4100 lm
Luminous flux tolerance	+/-10%
Initial LED luminaire efficacy	112 lm/W
Init. Corr. colour temperature	4000 K
Init. colour rendering index	≥80
Initial chromaticity	(0.38, 0.38) SDCM <3

Initial input power	36.5 W
Power consumption tolerance	+/-10%

Over Time Performance (IEC Compliant)

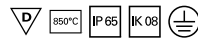
Control gear failure rate at median useful life 50000 h	5 %
Lumen maintenance at median useful life* 50000 h	L75

Application Conditions

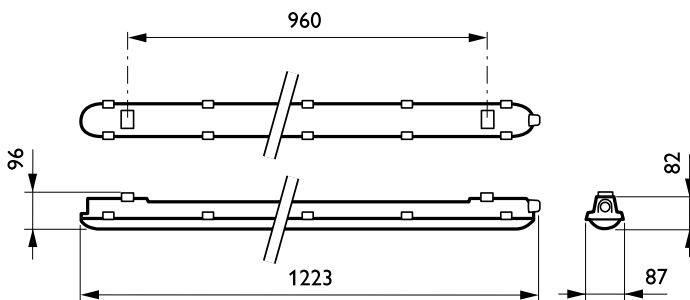
Ambient temperature range	-20 to +35 °C
Performance ambient temperature Tq	25 °C

Product Data

Full product code	871869939713500
Order product name	WT120C LED40S/840 IA1 L1200
EAN/UPC – product	8718699397135
Order code	39713500
Numerator – quantity per pack	1
Numerator – packs per outer box	1
Material no. (12NC)	910500465266
Net weight (piece)	1.530 kg



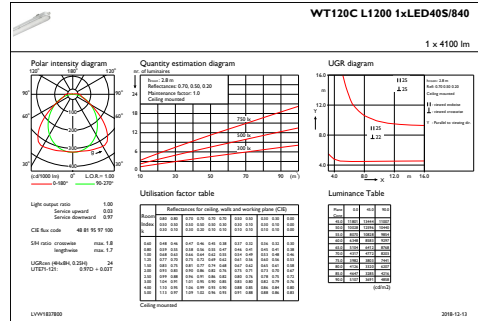
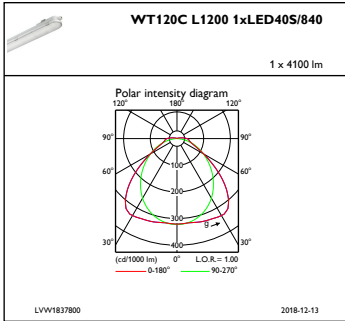
Dimensional drawing



CoreLine Waterproof WT120C

CoreLine Waterproof

Photometric data



IFPC1_WT120CL12001xLED40S840

IFGU1_WT120CL12001xLED40S840

