



# TrueFashion

## ST712T LED27S/PW9-3000 PSU FR18 WH

TrueFashion Compact Drv. In Track - Premium white with CRI  $\geq 90$  - 3000 K - Power supply unit - Beam angle 18° - White

TrueFashion is the LED projector family catering to the miniaturisation and presentation needs of specialised retailers. Firstly, these miniaturised spots, with clean and fine detailing, offer contemporary design and blend seamlessly into your shop's interior for a tailor-made look. Secondly, it provides high-quality accentuation effect thanks to its innovative OptiAccent lens technology (FPO), which provides higher central intensity beam without spill light to maximise the contrast ratio hence optimising the accent effect. Especially in challenging narrow spot (12D) and spot (18D) applications, the difference of OptiAccent to Chip on Board and reflector optics is like day and night. OptiAccent also reduces direct glare by a factor of 5 to enable superior visual comfort. Lastly, TrueFashion also takes care of the light spectra: the specially designed Philips LED flavours enhance colours (saturation) and whites, while offering high degree of fidelity ( $>CRI90$ ). This is how TrueFashion ensures a superior light experience in your retail applications.

### Warnings and Safety

- The luminaire should be mounted outside of arm's reach
- The luminaire should be installed and disassembled by a qualified electrician and wired in accordance with the latest IEE electrical regulations or the national requirements

### Product data

General information			
Beam angle of light source	120 °	Driver included	Yes
Light source colour	Premium white with CRI $\geq 90$	Optic type	18 [ Beam angle 18°]
Light source replaceable	No	Luminaire light beam spread	18°
Number of gear units	1 unit	Connection	PIP [ Push-in connector and pull relief]
Driver/power unit/transformer	PSU [ Power supply unit]	Cable	-
		Protection class IEC	Safety class II (II)

Glow-wire test	650/30 [ Temperature 650 °C, duration 30 s]
Flammability mark	NO [-]
CE mark	Yes
ENEC mark	ENEC mark
Warranty period	5 years
Remarks	*- According to the Lighting Europe guidance paper 'Evaluating performance of LED based luminaires – January 2018': statistically there is no relevant difference in lumen maintenance between the B50 and, for example, the B10. Therefore, the median useful life (B50) value also represents the B10 value.
Constant light output	No
Number of products on MCB (16 A type B)	34
EU RoHS compliant	Yes
Service Tag	Yes
Product family code	ST712T [ TrueFashion Compact Drv. In Track]
Unified glare rating CEN	Not applicable

## Operating and electrical

Input Voltage	220 to 240 V
Input frequency	50 to 60 Hz
Inrush current	5 A
Inrush time	0.05 ms
Power factor (min.)	0.9

## Controls and dimming

Dimmable	No
----------	----

## Mechanical and housing

Housing material	Aluminum
Reflector material	Polycarbonate aluminum coated
Optic material	Polycarbonate
Optical cover/lens material	Polymethyl methacrylate
Fixation material	-
Optical cover/lens finish	Clear
Overall length	162 mm
Overall width	80 mm
Overall height	168 mm

Colour	White
Dimensions (height x width x depth)	168 x 80 x 162 mm

## Approval and application

Ingress protection code	IP20 [ Finger-protected]
Mech. impact protection code	IK02 [ 0.2 J standard]

## Initial performance (IEC compliant)

Initial luminous flux (system flux)	2400 lm
Luminous flux tolerance	+/-10%
Initial LED luminaire efficacy	86 lm/W
Init. Corr. Colour Temperature	3000 K
Init. Colour rendering index	90
Initial chromaticity	(0.42, 0.38) SDCM <3
Initial input power	28 W
Power consumption tolerance	+/-10%

## Over time performance (IEC compliant)

Control gear failure rate at median useful life 50,000 h	5 %
Lumen maintenance at median useful life* 50,000 h	L80

## Application conditions

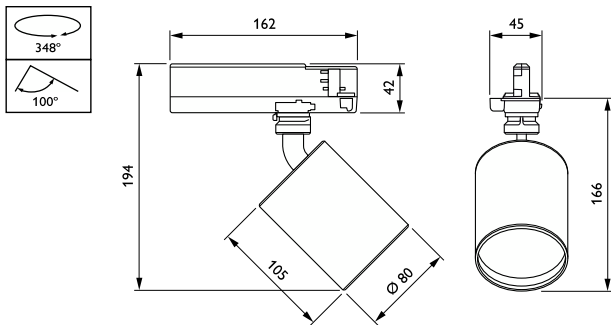
Ambient temperature range	+10 to +40 °C
Performance ambient temperature Tq	25 °C
Suitable for random switching	Yes

## Product data

Full product code	871869939904700
Order product name	ST712T LED275/PW9-3000 PSU FR18 WH
EAN/UPC – product	8718699399047
Order code	39904700
SAP numerator – quantity per pack	1
Numerator – packs per outer box	1
SAP material	910500465296
Net Weight (Piece)	0.610 kg



Dimensional drawing



ST712T LED27S/PW9-3000 PSU FR18 WH

