



TrueFashion

ST712T LED27S/PW9-3500 PSU FR24 WH

TrueFashion Compact Drv. In Track - Premium white with CRI ≥ 90 - 3500 K - Power supply unit - Beam angle 24° - White

TrueFashion is a dedicated LED spot family answering the specific needs of Fashion Retailers. These miniaturised spots with clean and fine detailing offer contemporary design and blend seamlessly into your shop interior for a tailor-made look. This spot family provides the best quality of light by using innovative Philips Fashion Proof Optics (FPO). These FPO lenses offer higher intensity beams without spill light to optimise the contrast ratio and will reduce glare within the shop. In addition, the specially designed Philips fashion LED flavours enhance colours and visual qualities. In this way TrueFashion ensures a superior light experience. This dedicated fashion range supports your global expansion plans by being prepared for international certifications. In addition, we offer dedicated logistics and a local presence globally. Fashion is evolving rapidly towards a new balance between online and offline shopping. TrueFashion creates an optimal shopper experience to attract and engage the shopper while bringing the connected future of lighting in the shop by being ready to be connected to Interact Retail Display and Interact Retail EasyAim.

Product data

General Information			
Beam angle of light source	120 °	Cable	-
Light source colour	Premium white with CRI ≥ 90	Protection class IEC	Safety class II (II)
Light source replaceable	No	Glow-wire test	650/30 [Temperature 650 °C, duration 30 s]
Number of gear units	1 unit	Flammability mark	NO [-]
Driver/power unit/transformer	PSU [Power supply unit]	CE mark	CE mark
Driver included	Yes	ENEC mark	ENEC mark
Optic type	24 [Beam angle 24°]	Warranty period	5 years
Luminaire light beam spread	24°	Remarks	* - According to the Lighting Europe guidance paper 'Evaluating performance of LED based luminaires - January 2018': statistically there
Connection	PIP [Push-in connector and pull relief]		

	is no relevant difference in lumen maintenance between the B50 and, for example, the B10. Therefore, the median useful life (B50) value also represents the B10 value.
Constant light output	No
Number of products on MCB (16 A type B)	34
EU RoHS compliant	Yes
Product family code	ST712T [TrueFashion Compact Drv. In Track]
Unified glare rating CEN	Not applicable

Operating and Electrical

Input Voltage	220 to 240 V
Input frequency	50 to 60 Hz
Inrush current	5 A
Inrush time	0.05 ms
Power factor (min.)	0.9

Controls and Dimming

Dimmable	No
----------	----

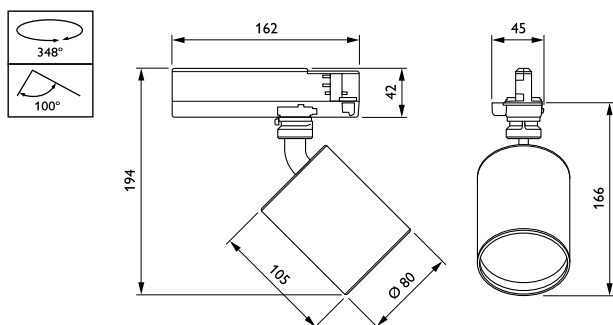
Mechanical and Housing

Housing material	Aluminum
Reflector material	Polycarbonate aluminum coated
Optic material	Polycarbonate
Optical cover/lens material	Polymethyl methacrylate
Fixation material	-
Optical cover/lens finish	Clear
Overall length	162 mm
Overall width	80 mm
Overall height	168 mm
Colour	White
Dimensions (height x width x depth)	168 x 80 x 162 mm (6.6 x 3.1 x 6.4 in)

Approval and Application

Ingress protection code	IP20 [Finger-protected]
-------------------------	--------------------------

Dimensional drawing



TrueFashion ST700T-ST721T

Mech. impact protection code	IK02 [0.2 J standard]
------------------------------	------------------------

Initial Performance (IEC Compliant)

Initial luminous flux (system flux)	2400 lm
Luminous flux tolerance	+/-10%
Initial LED luminaire efficacy	86 lm/W
Init. Corr. Colour Temperature	3500 K
Init. colour rendering index	90
Initial chromaticity	(0.39, 0.37) SDCM <3
Initial input power	28 W
Power consumption tolerance	+/-10%

Over Time Performance (IEC Compliant)

Control gear failure rate at median useful life 50,000 h	5 %
Lumen maintenance at median useful life* 50,000 h	L80

Application Conditions

Ambient temperature range	+10 to +40 °C
Performance ambient temperature Tq	25 °C
Suitable for random switching	Yes

Product Data

Full product code	871869939912200
Order product name	ST712T LED27S/PW9-3500 PSU FR24 WH
EAN/UPC – product	8718699399122
Order code	39912200
SAP numerator – quantity per pack	1
SAP numerator – packs per outer box	1
Material no. (12 NC)	910500465305
SAP net weight (piece)	0.610 kg



