



TrueFashion

ST712T LED27S/PW9-3500 PSU FR36 WH

TrueFashion Compact Drv. In Track - Premium white with CRI ≥ 90 - 3500 K - Power supply unit - Beam angle 36° - White

TrueFashion is a dedicated LED spot family answering the specific needs of Fashion Retailers. These miniaturized spots with clean and fine detailing offer contemporary design and blend seamlessly into your store interior for a tailor-made look. This spot family provides the best quality of light by using innovative Philips Fashion Proof Optics (FPO). These FPO lenses offer higher intensity beams without spill light to optimize the contrast ratio and will reduce glare within the store. In addition, the specially designed Philips fashion LED flavors enhance colors and visual qualities. In this way TrueFashion ensures a superior light experience. This dedicated fashion range supports your global expansion plans by being prepared for international certifications. In addition, we offer dedicated logistics and a local presence globally. Fashion is evolving rapidly towards a new balance between online and offline shopping. TrueFashion creates an optimal shopper experience to attract and engage the shopper while bringing the connected future of lighting in the store by being ready to be connected to Interact Retail Display and Interact Retail EasyAim.

Product data

General Information			
Beam angle of light source	120 °	Cable	-
Light source color	Premium white with CRI ≥ 90	Protection class IEC	Safety class II
Light source replaceable	No	Glow-wire test	Temperature 650 °C, duration 30 s
Number of gear units	1 unit	Flammability mark	-
Driver/power unit/transformer	Power supply unit	CE mark	CE mark
Driver included	Yes	ENEC mark	ENEC mark
Optic type	Beam angle 36°	Warranty period	5 years
Luminaire light beam spread	36°	Remarks	*-Per Lighting Europe guidance paper "Evaluating performance of LED based luminaires - January 2018": statistically there
Connection	Push-in connector and pull relief		

	is no relevant difference in lumen maintenance between B50 and for example B10. Therefore the median useful life (B50) value also represents the B10 value.
Constant light output	No
Number of products on MCB of 16 A type B	34
RoHS mark	RoHS mark
Product family code	ST712T [TrueFashion Compact Drv. In Track]

Operating and Electrical

Input Voltage	220 to 240 V
Input Frequency	50 to 60 Hz
Inrush current	5 A
Inrush time	0.05 ms
Power Factor (Min)	0.9

Controls and Dimming

Dimmable	No
----------	----

Mechanical and Housing

Housing Material	Aluminum
Reflector material	Polycarbonate aluminum coated
Optic material	Polycarbonate
Optical cover/lens material	Polymethyl methacrylate
Fixation material	-
Optical cover/lens finish	Clear
Overall length	162 mm
Overall width	80 mm
Overall height	168 mm
Color	White

Approval and Application

Ingress protection code	IP20 [Finger-protected]
Mech. impact protection code	IK02 [0.2 J standard]

Initial Performance (IEC Compliant)

Initial luminous flux (system flux)	2400 lm
Luminous flux tolerance	+/-10%
Initial LED luminaire efficacy	86 lm/W
Init. Corr. Color Temperature	3500 K
Init. Color Rendering Index	90
Initial chromaticity	(0.39, 0.37) SDCM <3
Initial input power	28 W
Power consumption tolerance	+/-10%

Over Time Performance (IEC Compliant)

Control gear failure rate at median useful life 50000 h	5 %
Lumen maintenance at median useful life* 50000 h	L80

Application Conditions

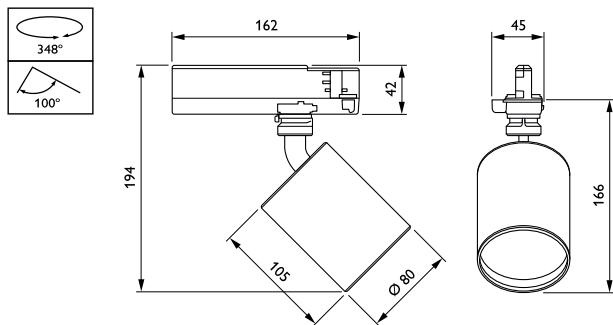
Ambient temperature range	+10 to +40 °C
Performance ambient temperature Tq	25 °C
Suitable for random switching	Yes (relates to presence/ movement detection and daylight harvesting)

Product Data

Full product code	871869939914600
Order product name	ST712T LED27S/PW9-3500 PSU FR36 WH
EAN/UPC - Product	8718699399146
Order code	910500465307
Numerator - Quantity Per Pack	1
Numerator - Packs per outer box	1
Material Nr. (12NC)	910500465307
Net Weight (Piece)	0.610 kg



Dimensional drawing



TrueFashion ST700T-ST721T

