



EcoStyle

ST440S LED27S/CH PSU WB WH

EcoStyle Maxos fusion - Champagne - Power supply unit - Wide beam - Safety class II (II) - White

Retailers are looking for an affordable LED accent-lighting solution with a reasonable payback compared to conventional technologies. Now, thanks to EcoStyle, they need look no further. With a LED light source and dedicated reflector system, EcoStyle delivers powerful, good-quality accent lighting, enabling retailers to display their merchandise in the best possible light. For food and fashion retailers, EcoStyle is available with special light recipes to further enhance the store ambience and to show the produce and goods on offer in the very best light: Fresh Food Champagne is the perfect LED solution for displaying fruit, vegetables, cheese, bread and pastries in a warm lighting ambience; Fresh Food Meat creates the best light setting for meat enhancement in a cool natural ambience; CrispWhite is the clear choice for fashion retailers to make colors appear rich and intense while keeping whites bright. The track-mounted EcoStyle is also available in a choice of black or white finish. And the combination of efficient LED technology and an innovative heatsink ensures that this is a reliable, lasting solution.

Product data

General information	
Beam angle of light source	120 °
Light source colour	Champagne
Light source replaceable	No
Number of gear units	1 unit
Driver/power unit/transformer	PSU [Power supply unit]
Driver included	Yes
Optic type	WB [Wide beam]
Luminaire light beam spread	36°
Connection	No [-]
Cable	-
Protection class IEC	Safety class II (II)
Glow-wire test	650/5 [Temperature 650 °C, duration 5 s]
Flammability mark	F [For mounting on normally flammable surfaces]
CE mark	Yes
ENEC mark	ENEC mark
Warranty period	5 years
Remarks	*- According to the Lighting Europe guidance paper 'Evaluating performance of LED based

	luminaires – January 2018*: statistically there is no relevant difference in lumen maintenance between the B50 and, for example, the B10. Therefore, the median useful life (B50) value also represents the B10 value.
Constant light output	No
Number of products on MCB (16 A type B)	34
EU RoHS compliant	Yes
Product family code	ST440S [EcoStyle Maxos fusion]

Operating and electrical

Input Voltage	220-240 V
Input frequency	50 to 60 Hz
Inrush current	18 A
Inrush time	0.25 ms
Power factor (min.)	0.95

Controls and dimming

Dimmable	No
----------	----

Mechanical and housing

Housing material	Polycarbonate
Reflector material	Polycarbonate aluminum coated
Optic material	Polycarbonate
Optical cover/lens material	Polymethyl methacrylate
Fixation material	Polyamide
Optical cover/lens finish	Clear
Overall length	189 mm
Overall width	112 mm
Overall height	193 mm
Colour	White
Dimensions (height x width x depth)	193 x 112 x 189 mm

Approval and application

Ingress protection code	IP20 [Finger-protected]
-------------------------	--------------------------

Mech. impact protection code	IK02 [0.2 J standard]
------------------------------	------------------------

Initial performance (IEC compliant)

Initial luminous flux (system flux)	2600 lm
Luminous flux tolerance	+/-10%
Initial LED luminaire efficacy	110.63829787234043 lm/W
Init. Corr. Colour Temperature	2700 K
Init. Colour rendering index	80
Initial chromaticity	(0.4578, 0.4101) SDCM <3
Initial input power	23.5 W
Power consumption tolerance	+/-10%

Over time performance (IEC compliant)

Control gear failure rate at median useful life 50,000 h	5 %
Lumen maintenance at median useful life* 50,000 h	L80

Application conditions

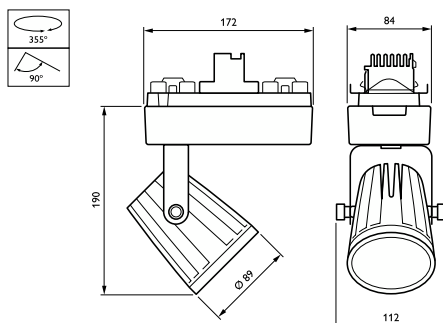
Ambient temperature range	0 to +35 °C
Performance ambient temperature Tq	25 °C
Suitable for random switching	No

Product data

Full product code	871869939941200
Order product name	ST440S LED27S/CH PSU WB WH
EAN/UPC – product	8718699399412
Order code	39941200
SAP numerator – quantity per pack	1
Numerator – packs per outer box	1
SAP material	910500465320
Net Weight (Piece)	1.460 kg



Dimensional drawing



ST440S LED27S/CH PSU WB WH

EcoStyle

