



TownGuide Performer

BDP102 LED50/830 II DS PCF SI CLO-DDF1 6

TOWNGUIDE PERF CLASSIC CONE - LED module 5000 lm -
Distribution symmetrical - Polycarbonate bowl/cover frosted

The TownGuide Performer family consists of six recognizable yet modern shapes: Flat Cone, Bowl, Classic Cone, Classic, T and Tzero. All are available with a clear bowl. Except for Tzero, also a frosted bowl can be chosen. With an extensive range of lumen packages and a choice of light colors and operating lifetimes, it is easy to select the version that best suits your project's specific requirements. In addition, TownGuide Performer has a variety of control system options that can make it an integral part of your smart energy-reduction programs – from stand-alone LumiStep and DynaDimmer, SDU switch-dim control, through to seamless remote connectivity with CityTouch lighting management software. Installation is easy. Thanks to the bayonet whistle connector with integrated gland located in the spigot, the luminaire does not have to be opened at all for installation. Philips has made every effort to make the Total Cost of Ownership (TCO) of the luminaire as attractive as possible. And as TownGuide Performer is a dedicated LED luminaire, compatible with a variety of control systems, the energy and maintenance cost savings compared to conventional lighting are significant.

Product data

General Information			
Number of light sources	4 [4 pcs]	Driver included	Yes
Lamp family code	LED50 [LED module 5000 lm]	Optical cover/lens type	PCF [Polycarbonate bowl/cover frosted]
Light source colour	830 warm white	Luminaire light beam spread	75°
Light source replaceable	Yes	Embedded control	CLO-DDF1 [Constant light output and DynaDimmer fixed presets version 1]
Number of gear units	1 unit	Control interface	-
Driver/power unit/transformer	PSDD-CLO [Power supply unit with DynaDimmer and constant light output (integrated)]	Light regulation	Dimming via DynaDimmer integrated in ballast or driver
		Cable	-

TownGuide Performer

Protection class IEC	Safety class II (II)
Parts colour	All parts colored
Coating	-
Glow-wire test	650/5 [Temperature 650 °C, duration 5 s]
Flammability mark	NO [-]
Safety device	PCBC [PCB cover]
CE mark	CE mark
ENEC mark	ENEC mark
Warranty period	5 years
Outdoor optic type	Distribution symmetrical
Photocell	No [-]
Constant light output	Yes
Number of products on MCB	10
RoHS mark	RoHS mark
WEEE mark	-
LED engine type	LED
Product Family Code	BDP102 [TOWNGUIDE PERF CLASSIC CONE]

Light Technical

Upward light output ratio	10
Standard tilt angle post-top	0°
Standard tilt angle side entry	-

Operating and Electrical

Input voltage	220-240 V
Input frequency	50 to 60 Hz
Initial CLO power consumption	37 W
Average CLO power consumption	38.5 W
End CLO power consumption	40 W
Inrush current	45 A
Inrush time	0.285 ms
Power factor (min.)	0.96
Power factor (nom.)	0.95

Controls and Dimming

Dimmable	Yes
----------	-----

Mechanical and Housing

Housing material	Aluminum
Reflector material	-
Optic material	Acrylate
Optical cover/lens material	Polycarbonate
Fixation material	Steel
Mounting device	62P [Post-top for diameter 62 mm]
Optical cover/lens shape	Conical
Optical cover/lens finish	Frosted
Torque	15
Overall height	317 mm

Overall diameter	570 mm
Effective projected area	0.088 m²
Colour	Silver

Approval and Application

Ingress protection code	IP66 [Dust penetration-protected, jet-proof]
Mech. impact protection code	IK10 [20 J vandal-resistant]

Initial Performance (IEC Compliant)

Initial luminous flux	2655 lm
Luminous flux tolerance	+/-7%
Initial LED luminaire efficacy	72 lm/W
Init. Corr. colour temperature	3000 K
Init. colour rendering index	80
Initial chromaticity	(0.43, 0.40) SDCM <5
Initial input power	41 W
Power consumption tolerance	+/-11%

Over Time Performance (IEC Compliant)

Control gear failure rate at median useful life 100000 h	0.1 %
Lumen maintenance at median useful life* 35000 h	-
Lumen maintenance at median useful life* 50000 h	-
Lumen maintenance at median useful life* 75000 h	-
Lumen maintenance at median useful life* 100000 h	91

Application Conditions

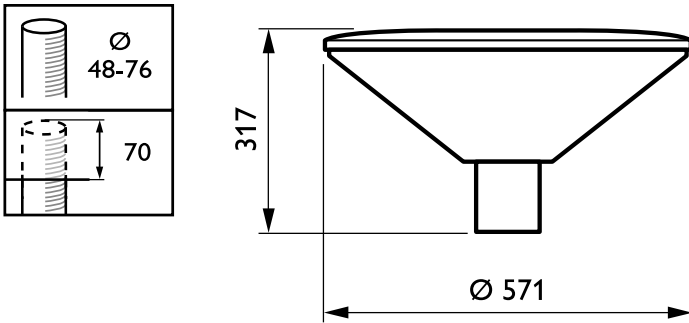
Ambient temperature range	-40 to +35 °C
Performance ambient temperature Tq	25 °C

Product Data

Full product code	871829190622300
Order product name	BDP102 LED50/830 II DS PCF SI CLO-DDF1 6
EAN/UPC – product	8718291906223
Order code	90622300
Numerator – quantity per pack	1
Numerator – packs per outer box	1
Material no. (I2NC)	910500991023
Net weight (piece)	6.530 kg

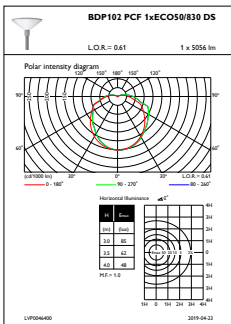
TownGuide Performer

Dimensional drawing

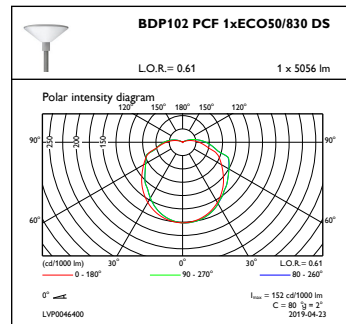


TownGuide Performer BDP100-105

Photometric data



OFPL1_BDP102PCF1xECO50830DS



OFPC1_BDP102PCF1xECO50830DS

