



Iridium SGS253/453

SGS253 SON-T100W K II TP FG GR SND

IRIDIUM, SON-T, 100 W, Open T-POT, Flat glass

Iridium is a family of road-lighting luminaires designed for three main applications – residential areas and minor roads, major roads and motorways. Its modularity allows the integration of optical or electronic components in order to adapt to the changing demands of road lighting, e.g. the growing demand for white light and controls. Iridium ensures low cost of ownership thanks to its superior optics, dimming and Telemangement capability, and ease of installation and maintenance. The Iridium luminaire family includes MASTERColour CDM Elite MW, CosmoPolis and LED-enabled versions. It comes in four different sizes – for mounting heights from 3.5 to 12 meters – and is suitable for side-entry and post-top mounting. A full range of brackets ensures visual consistency between the column and the gently rounded luminaire, making Iridium a total solution. Each Iridium luminaire is fully recyclable; only the light source and driver have to be recycled separately.

Product data

General Information	
Lamp family code	SON-T [SON-T]
Gear	CONV [Conventional]
Photocell	-
Product family code	SGS253 [IRIDIUM]
Embedded control	-
CE mark	Yes
ENEC mark	ENEC mark
Light Technical	
Standard tilt angle posttop	5°
Standard tilt angle side entry	5°
Number of light sources	1

Optical cover type	Flat glass
Optic type outdoor	Open T-POT
Operating and Electrical	
Input Voltage	230 V
Power Consumption	100 W
Mechanical and Housing	
Housing Color	Grey
Overall height	190 mm
Parts color	-

Iridium SGS253/453

Approval and Application

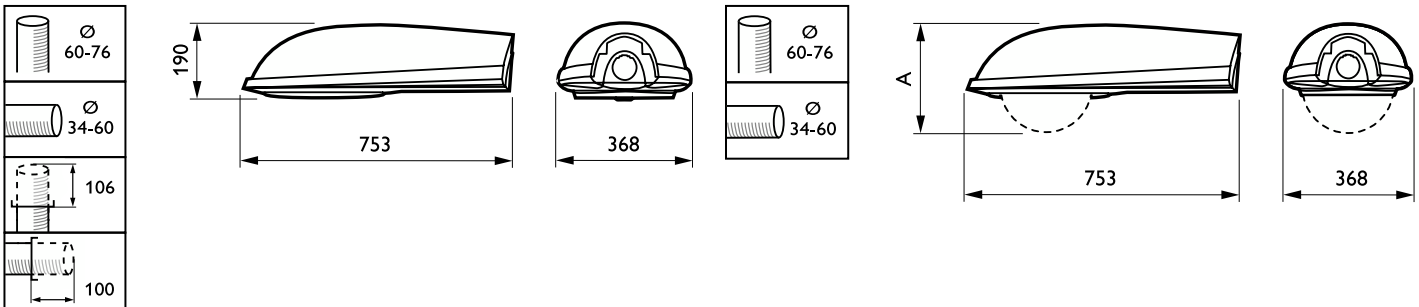
Ingress protection code	IP66 [Dust penetration-protected, jet-proof]
Mech. impact protection code	IK08 [5 J vandal-protected]
Protection class IEC	Safety class II

Product Data

Order product name	SGS253 SON-T100W K II TP FG GR SND
Full product name	SGS253 SON-T100W K II TP FG GR SND
Full product code	871155984852500

Order code	910502150818
Material Nr. (12NC)	910502150818
Numerator - Quantity Per Pack	1
EAN/UPC - Product/Case	8711559848525
Numerator - Packs per outer box	1
EAN/UPC - Case	8711559848525

Dimensional drawing



Product	A
SGS253 SON-T100W K II TP FG GR SND	190 mm

