



# Iridium SGS254/454

## SGS454 SON-T400W K II CP FG AL 7035 SND

IRIDIUM, SON-T, 400 W, Closed T-POT, Flat glass

Iridium is a family of road-lighting luminaires designed for three main applications – residential areas and minor roads, major roads and motorways. Its modularity allows the integration of optical or electronic components in order to adapt to the changing demands of road lighting, e.g. the growing demand for white light and controls. Iridium ensures low cost of ownership thanks to its superior optics, dimming and Telemangement capability, and ease of installation and maintenance. The Iridium luminaire family includes MASTERColour CDM Elite MW, CosmoPolis and LED-enabled versions. It comes in four different sizes – for mounting heights from 3.5 to 12 meters – and is suitable for side-entry and post-top mounting. A full range of brackets ensures visual consistency between the column and the gently rounded luminaire, making Iridium a total solution. Each Iridium luminaire is fully recyclable; only the light source and driver have to be recycled separately.

### Product data

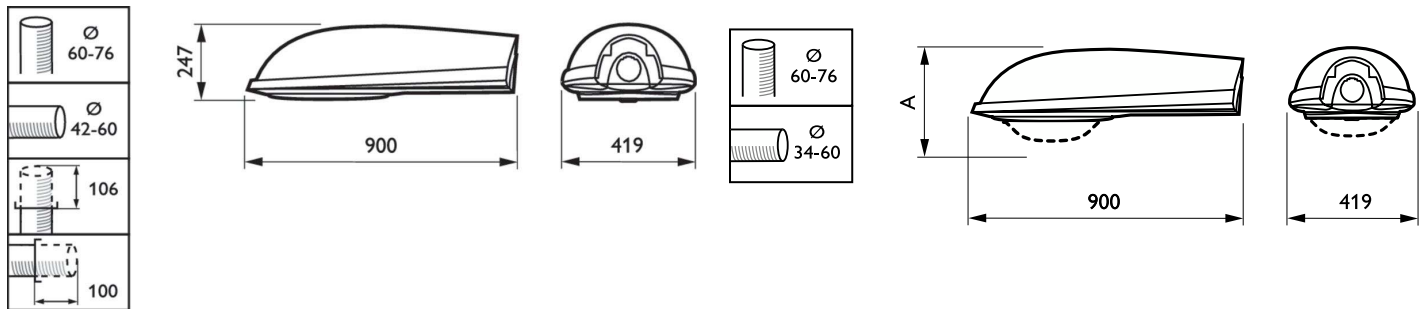
General Information		Optic type outdoor	
Lamp family code	SON-T [SON-T]	Closed T-POT	
Gear	CONV [Conventional]	Operating and Electrical	
Product family code	SGS454 [IRIDIUM]	Input Voltage	230 V
CE mark	Yes	Power Consumption	400 W
ENEC mark	ENEC mark	Mechanical and Housing	
Light Technical		Housing Color	-
Standard tilt angle posttop	5°	Parts color	All parts colored
Standard tilt angle side entry	5°	Approval and Application	
Number of light sources	1	Ingress protection code	IP66 [Dust penetration-protected, jet-proof]
Optical cover type	Flat glass	Mech. impact protection code	IK08 [5 J vandal-protected]

# Iridium SGS254/454

Protection class IEC	Safety class II
<b>Product Data</b>	
Order product name	SGS454 SON-T400W K II CP FG AL 7035 SND
Full product name	SGS454 SON-T400W K II CP FG AL 7035 SND
Full product code	871155984961400
Order code	910502157318

Material Nr. (12NC)	910502157318
Numerator - Quantity Per Pack	1
EAN/UPC - Product/Case	8711559849614
Numerator - Packs per outer box	1
EAN/UPC - Case	8711559849614

## Dimensional drawing



Product	A
SGS454 SON-T400W K II CP FG AL 7035 SND	247 mm

