



Zadora, adjustable

QBD570 1xHAL-MR50-45W 12V BR MAT

1 pc - MASTER Line ES 50 mm - 45 W - 12 V - Bracket

Zadora is a range of recessed downlights for MASTERLine 35 and 50 mm dichroic halogen lamps (with beams of 8°, 24°, 36° and 60°) and Twistline Alu lamps. It is available in fixed and adjustable versions, the latter offering 30° orientation from the vertical. Zadora downlights are also available in ready-to-install kit versions. Maintenance is made easy by direct lamp access.

Product data

General Information	
Number of light sources	1 [1 pc]
Lamp family code	HAL-MR50 [MASTER Line ES 50 mm]
Lamp power	45 W
Kombipack	-
Gear	-
Driver/power unit/transformer	No [-]
Connection	No [-]
Protection class IEC	Safety class III (III)
Mounting	BR [Bracket]
Glow-wire test	850/5 [Temperature 850 °C, duration 5 s]
Flammability mark	F [For mounting on normally flammable surfaces]
CE mark	CE mark
ENEC mark	-

Operating and Electrical

Input Voltage	12 V
---------------	------

Mechanical and Housing

Color	Matt finishing
-------	----------------

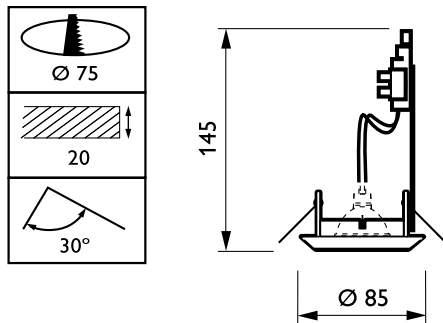
Approval and Application	
Ingress protection code	IP20 [Finger-protected]
Mech. impact protection code	IK00 [No protection]

Product Data

Full product code	871155957333599
Order product name	QBD570 1xHAL-MR50-45W 12V BR MAT
EAN/UPC - Product	8711559573335
Order code	910502539318
Numerator - Quantity Per Pack	1
Numerator - Packs per outer box	10
Material Nr. (12NC)	910502539318
Net Weight (Piece)	0.176 kg

Zadora, adjustable

Dimensional drawing



Zadora Adjustable QBD570

