



AmphiLux, surface mounted

BVD410 4xLED-HB-2700-6000 E 30

4 pcs - LED High Brightness - Empty, without gear - Medium beam angle 30°

People want to spend more quality time outdoors with family and friends. The AmphiLux surface-mounted spotlight range is designed to enhance outdoor social areas (gardens, terraces, fountains, waterfalls, etc.) with architectural lighting. AmphiLux is a family of LED spots featuring a stunning, sleek Italian design with a stylish chrome finish. These solutions can be used under water and in semi-wet and dry environments. Available in Micro, Mini and Compact sizes, the range offers a choice of dynamic white-light and colored-light versions for maximum flexibility in tasteful flood and accent lighting.

Product data

| General Information | |
|-------------------------------|-------------------------------|
| Number of light sources | 4 pcs |
| Lamp family code | LED-HB [LED High Brightness] |
| Light source replaceable | No |
| Gear | E [Empty, without gear] |
| Driver/power unit/transformer | - |
| Driver included | No |
| Optical cover/lens type | - |
| Protection class IEC | Safety class III |
| CE mark | CE mark |
| Lifetime to 50% luminous flux | 200000 h |
| Lifetime to 70% luminous flux | 147000 h |
| Lifetime to 90% luminous flux | 43000 h |

| Optic type outdoor | Medium beam angle 30° |
|--------------------------|---|
| Serviceability class | Class C, luminaire without serviceable parts, not serviceable |
| Operating and Electrical | |
| Input Voltage | 12 V |
| Controls and Dimming | |
| Dimmable | Yes |
| Approval and Application | |
| Ingress protection code | IP68 [Dust penetration-protected, pressure watertight] |

AmphiLux, surface mounted

Mech. impact protection code IK05 [0.7 J]

Initial Performance (IEC Compliant)

Initial luminous flux (system flux) 229 lm

Initial LED luminaire efficacy 57 lm/W

Init. Corr. Color Temperature 2700 to 6000 K

Init. Color Rendering Index 80

Initial input power 4 W

Application Conditions

Ambient temperature range -20 to +35 °C

Product Data

Full product code 871794389468099

Order product name BVD410 4xLED-HB-2700-6000 E 30

EAN/UPC - Product 8717943894680

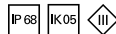
Order code 910503682918

Numerator - Quantity Per Pack 1

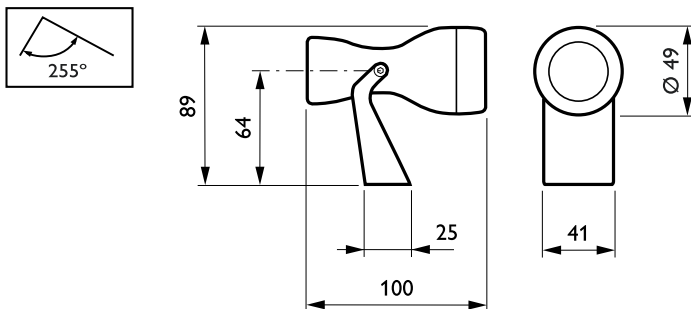
Numerator - Packs per outer box 6

Material Nr. (12NC) 910503682918

Net Weight (Piece) 0.770 kg



Dimensional drawing



AmphiLux BBD/BVD400

