



LED Lighting Power/ Data supplies

ZCX400 PDS-60CA EXP CARD

PDS-60ca 7.5 V - Pre-programmed

PDS-60ca 7.5 V - Pre-programmed

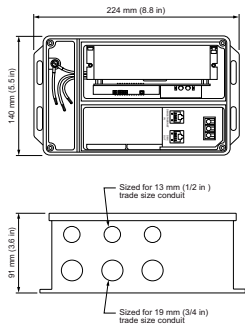
Product data

General Information	
Type description	PDS-60CA EXP CARD [Power/data supply, 60 W expansion card]
CE mark	-
Product Data	
Order product name	ZCX400 PDS-60CA EXP CARD
EAN/UPC - Product	8727900710823

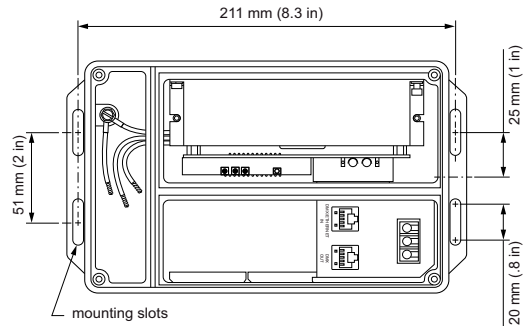
Order code	910503700093
Local order code	.
Numerator - Quantity Per Pack	1
Numerator - Packs per outer box	4
Material Nr. (12NC)	910503700093
Net Weight (Piece)	2.300 kg

LED Lighting Power/Data supplies

Dimensional drawing



Power/data supply units ZCX400



Power/data supply units ZCX400

