



ColorBlast 6 and 12

BCP460 18xLED-HB/RGB 24V 10 BK

Red, green and blue - Narrow beam angle 10° - Black

These high-performance ColorBlast LED fixtures generate rich, saturated colors and color-changing effects for a range of wall-washing and floodlighting applications. Designed with the needs of lighting designers, architects, and retail window directors in mind, ColorBlast can be used in both indoor and outdoor installations. ColorBlast 12's high-intensity LEDs produce superior light output, while ColorBlast 6 produces a lower-intensity output in a compact, low-profile housing. Both versions offer full pan and tilt rotation, flexible mounting options, two beam angles, and superior control through Philips or third-party DMX controllers.

Product data

General Information		Input frequency	
Number of light sources	18 [18 pcs]		0 Hz
Lamp family code	LED-HB [LED High Brightness]	Controls and Dimming	
Light source colour	Red, green and blue	Dimmable	Yes
Light source replaceable	No	Mechanical and Housing	
Driver included	Yes	Housing material	Aluminum die-cast
Optical cover/lens type	G [Glass]	Optic material	Glass
Luminaire light beam spread	10°	Optical cover/lens material	Glass
Protection class IEC	Safety class III (III)	Optical cover/lens shape	Flat
CE mark	CE mark	Optical cover/lens finish	Clear
Outdoor optic type	Narrow beam angle 10°	Colour	Black
Light Technical		Approval and Application	
Minimum uniform lighting distance	152 mm	Ingress protection code	IP66 [Dust penetration-protected, jet-proof]
Operating and Electrical			
Input voltage	24 V		

ColorBlast 6 and 12

Initial Performance (IEC Compliant)

Initial luminous flux	584 lm
Initial LED luminaire efficacy	14.2 lm/W
Initial input power	31.3 W

Over Time Performance (IEC Compliant)

Lumen Maintenance 50% at 50°C Reported	50000
--	-------

Application Conditions

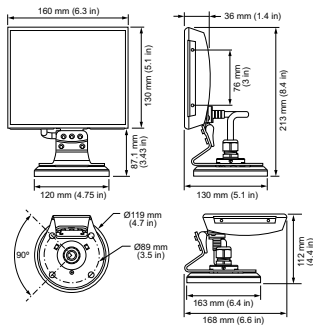
Ambient temperature range	-40 to +50 °C
---------------------------	---------------

Product Data

Full product code	871794388039399
-------------------	-----------------

Order product name	BCP460 18xLED-HB/RGB 24V 10 BK
EAN/UPC – product	8717943880393
Order code	88039399
Numerator – quantity per pack	1
Numerator – packs per outer box	2
Material no. (12NC)	910503700596
Net weight (piece)	2.950 kg

Dimensional drawing



ColorBlast 6

