



C-Splash 2

C-Splash 2, 10° Clear Lens

C-Splash 2, 10° Clear Lens

C-Splash 2 is an ultra-thin, submersible fixture designed to provide vibrant color and color-changing light in fresh and saltwater locations to a depth of 4.6 meters. With its watertight cast brass housing and silicon bronze adjusting hardware, C-Splash 2 is perfect for water-based applications such as fountains and theme park installations, as well as for applications situated in harsh environments.

Product data

General information	
Number of light sources	18 [18 pcs]
Lamp family code	LED-HB [LED High Brightness]
Light source colour	Red, green and blue
Light source replaceable	No
Driver/power unit/transformer	PSU [Power supply unit]
Driver included	Yes
Luminaire light beam spread	10°
Protection class IEC	Safety class III (III)
CE mark	CE mark
Lifetime to 50% luminous flux	50000 h
Optic type outdoor	Narrow beam angle 10°
Operating and electrical	
Input Voltage	24 V
Input frequency	0 Hz
Controls and dimming	
Dimmable	No

Mechanical and housing	
Colour	Brass
Approval and application	
Ingress protection code	IP68 [Dust penetration-protected, pressure watertight]
Energy Efficiency Class	G
	942285
Initial performance (IEC compliant)	
Initial luminous flux (system flux)	583 lm
Initial LED luminaire efficacy	23.3 lm/W
Initial input power	31.3 W
Over time performance (IEC compliant)	
Lumen Maintenance 50% at 50 °C	50000
Reported	

C-Splash 2

Application conditions

Ambient temperature range -40 to +50 °C

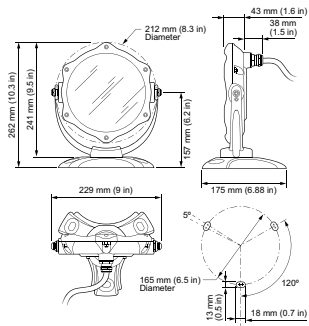
Product data

Full product code	871794370185800
Order product name	BCP468 18xLED-HB/RGB 24V IP68 10 BRS
EAN/UPC – product	8717943701858
Order code	116-000024-01
SAP numerator – quantity per pack	1

Numerator – packs per outer box	1
SAP material	910503700617
Net Weight (Piece)	10.000 kg
Commercial Code	116-000024-01
Catalogue number description	C-Splash 2, 10° Clear Lens

IP 68

Dimensional drawing



BCP468 18xLED-HB/RGB 24V IP68 10 BRS

