



iColor Flex LMX

BGC493 50xLED-MD/RGB 24V 145 TSDM12 BK

Red, green and blue - Very wide beam angle 145° - 50 pcs -
Transparent dome 12 inch separated - Black

iColor Flex LMX is a flexible strand of large, high-intensity, full-color LED nodes designed for extraordinary effects and expansive installations without the constraints of fixture size, shape, or space. Each iColor Flex LMX strand consists of 50 individually addressable LED nodes, featuring dynamic integration of power, communication, and control. The flexible form factor accommodates two- and three-dimensional configurations, while high light output affords superior long distance viewing for architectural accent and perimeter lighting, large-scale signage, and building-covering video displays.

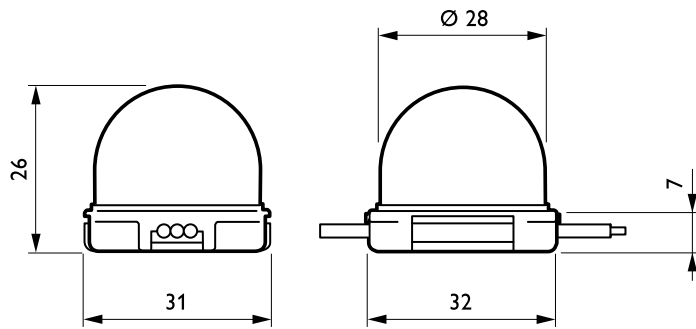
Product data

General Information	
Number of light sources	50 [50 pcs]
Lamp family code	LED-MD [LED Multi-die]
Light source color	Red, green and blue
Optical cover/lens type	TSDM12 [Transparent dome 12 inch separated]
CE mark	CE mark
Optic type outdoor	Very wide beam angle 145°
Operating and Electrical	
Input Voltage	24 V
Mechanical and Housing	
Color	Black

Product Data	
Full product code	871794370248099
Order product name	BGC493 50xLED-MD/RGB 24V 145 TSDM12 BK
EAN/UPC - Product	8717943702480
Order code	910503700705
Numerator - Quantity Per Pack	1
Numerator - Packs per outer box	6
Material Nr. (12NC)	910503700705
Net Weight (Piece)	1.500 kg

iColor Flex LMX

Dimensional drawing



iColor Flex LMX

