



# iColor Flex LMX

## BGC493 50xLED-MD/RGB 24V 145 TSDM4 WH

Red, green and blue - Very wide beam angle 145° - 50 pcs -  
Transparent dome 4 inch separated - White

iColor Flex LMX is a flexible strand of large, high-intensity, full-colour LED nodes designed for extraordinary effects and expansive installations without the constraints of fixture size, shape, or space. Each iColor Flex LMX strand consists of 50 individually addressable LED nodes, featuring dynamic integration of power, communication, and control. The flexible form factor accommodates two- and three-dimensional configurations, while high light output affords superior long distance viewing for architectural accent and perimeter lighting, large-scale signage, and building-covering video displays.

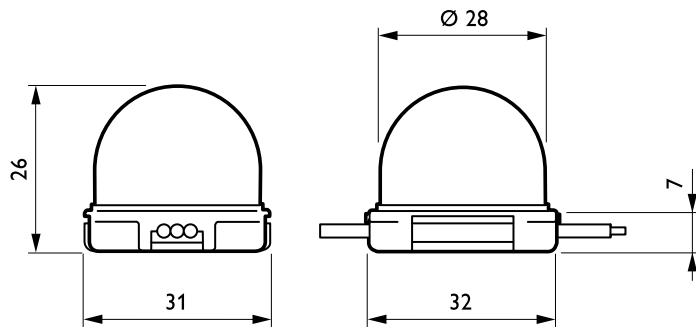
### Product data

General Information	
Number of light sources	50 [ 50 pcs]
Lamp family code	LED-MD [ LED Multi-die]
Lamp colour code	Red, green and blue
Optical cover/lens type	TSDM4 [ Transparent dome 4 inch separated]
CE mark	CE mark
Outdoor optic type	Very wide beam angle 145°
Operating and Electrical	
Input voltage	24 V
Mechanical and Housing	
Colour	White

Product Data	
Full product code	871794370249799
Order product name	BGC493 50xLED-MD/RGB 24V 145 TSDM4 WH
EAN/UPC – product	8717943702497
Order code	910503700706
Numerator – quantity per pack	1
Numerator – packs per outer box	6
Material no. (12NC)	910503700706
Net weight (piece)	0.980 kg

## iColor Flex LMX

### Dimensional drawing



iColor Flex LMX

