



# ColorBurst 6

## ColorBurst 6 BCP466 18xLED-HB/RGB 24V 12 WH

Red, green and blue - Narrow beam angle 12° - White

ColorBurst 6 combines the classical look of a round spotlight with all the benefits of intelligent LED technology. Enclosed in a rugged, die-cast aluminum housing, this compact spotlighting and wall-washing fixture projects rich, saturated colours and colour-changing effects, both indoors and outdoors. Enclosed wiring gives ColorBurst 6 a neat appearance and optimum positioning. The housing is equipped with a three-screw accessory ring to affix spread lenses, egg-crate louvers, and other attachments.

### Product data

General Information	
Number of light sources	18 [ 18 pcs]
Lamp family code	LED-HB [ LED High Brightness]
Lamp colour code	Red, green and blue
Light source replaceable	No
Driver included	Yes
Luminaire light beam spread	10°
Connection	No [ -]
Protection class IEC	Safety class I (I)
CE mark	CE mark
UL mark	UL and cUL mark
Lifetime to 70% luminous flux	70000 h
Outdoor optic type	Narrow beam angle 12°
Operating and Electrical	
Input voltage	24 V
Input frequency	0 Hz

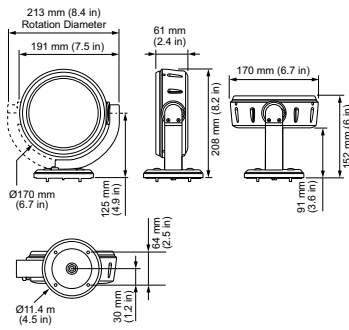
Controls and Dimming	
Dimmable	No
Mechanical and Housing	
Colour	White
Approval and Application	
Ingress protection code	IP66 [ Dust penetration-protected, jet-proof]
Initial Performance (IEC Compliant)	
Initial input power	31.3 W
Over Time Performance (IEC Compliant)	
Lumen Maintenance 50% at 50°C Reported	50000

# ColorBurst 6

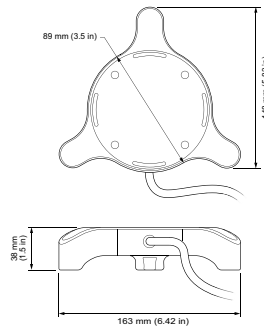
Application Conditions	
Ambient temperature range	-20 to +50 °C
Product Data	
Full product code	871794370225199
Order product name	ColorBurst 6 BCP466 18xLED-HB/RGB 24V 12 WH
EAN/UPC – product	8717943702251

Order code	910503700735
Numerator – quantity per pack	1
Numerator – packs per outer box	4
Material no. (12NC)	910503700735
Net weight (piece)	1.450 kg

## Dimensional drawing



ColorBurst 6



ColorBurst 6

