



# ColorBurst 6

## ColorBurst 6 BCP466 18xLED-HB/RGB 24V 12 BK

Red, green and blue - Narrow beam angle 12° - Black

ColorBurst 6 combines the classical look of a round spotlight with all the benefits of intelligent LED technology. Enclosed in a rugged, die-cast aluminum housing, this compact spotlighting and wall-washing fixture projects rich, saturated colors and color-changing effects, both indoors and outdoors. Enclosed wiring gives ColorBurst 6 a neat appearance and optimum positioning. The housing is equipped with a three-screw accessory ring to affix spread lenses, egg-crate louvers, and other attachments.

### Product data

| General Information           |                               |
|-------------------------------|-------------------------------|
| Number of light sources       | 18 [ 18 pcs]                  |
| Lamp family code              | LED-HB [ LED High Brightness] |
| Light source color            | Red, green and blue           |
| Light source replaceable      | No                            |
| Driver included               | Yes                           |
| Luminaire light beam spread   | 10°                           |
| Connection                    | No [ -]                       |
| Protection class IEC          | Safety class I (I)            |
| CE mark                       | CE mark                       |
| UL mark                       | UL and cUL mark               |
| Lifetime to 70% luminous flux | 70000 h                       |
| Optic type outdoor            | Narrow beam angle 12°         |
| Product family code           | BCP466 [ COLORBURST 6]        |

| Operating and Electrical |      |
|--------------------------|------|
| Input Voltage            | 24 V |
| Input Frequency          | 0 Hz |

| Controls and Dimming |    |
|----------------------|----|
| Dimmable             | No |

| Approval and Application |                                               |
|--------------------------|-----------------------------------------------|
| Ingress protection code  | IP66 [ Dust penetration-protected, jet-proof] |

| Initial Performance (IEC Compliant) |        |
|-------------------------------------|--------|
| Initial input power                 | 31.3 W |

| Over Time Performance (IEC Compliant)  |       |
|----------------------------------------|-------|
| Lumen Maintenance 50% at 50°C Reported | 50000 |

| Application Conditions    |               |
|---------------------------|---------------|
| Ambient temperature range | -4 to +122 °F |

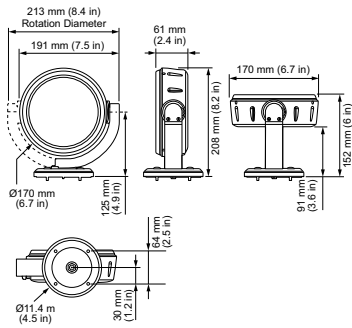
| Product Data       |                                             |
|--------------------|---------------------------------------------|
| Full product code  | 871794370226899                             |
| Order product name | ColorBurst 6 BCP466 18xLED-HB/RGB 24V 12 BK |
| EAN/UPC - Product  | 8717943702268                               |

## ColorBurst 6

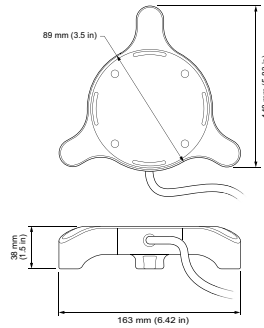
|                                 |              |
|---------------------------------|--------------|
| Order code                      | 910503700736 |
| Local order code                | .            |
| Numerator - Quantity Per Pack   | 1            |
| Numerator - Packs per outer box | 4            |
| Material Nr. (12NC)             | 910503700736 |

|                    |          |
|--------------------|----------|
| Net Weight (Piece) | 1.450 kg |
|--------------------|----------|

### Dimensional drawing



ColorBurst 6



ColorBurst 6

