



eW Cove MX Powercore Precision Dimming

eW Cove MX Powercore, 3500 K, 50° x 70° Beam Angle, 12.5 W/ft, 305 mm (1 ft)

eW Cove MX Powercore, 3500 K, 50° x 70° Beam Angle, 12.5 W/ft, 305 mm (1 ft)

With its superior light output, wide beam angle, and range of fixed colours and colour temperatures, eW Cove MX Powercore Precision Dimming can be used for accent lighting and indirect general illumination, as well as the full range of wall and ceiling cove applications. This fixture meets or exceeds the performance of comparable linear fluorescent strip cove lights while lowering installation, energy, and maintenance costs. eW Cove MX Powercore Precision Dimming offers environmentally conscious buyers a green, energy-efficient lighting solution without sacrificing quality or quantity of light. Integrated Powercore technology ensures rapid, efficient and accurate control of power output to the fixture directly from line voltage, eliminating the need for external power supplies.

Product data

General information		Optic type	
Number of light sources	10 [10 pcs]	Optical cover/lens type	MB [Medium beam]
Lamp family code	LED-HB [LED High Brightness]	Luminaire light beam spread	PC [Polycarbonate bowl/cover]
Light source colour	Neutral white	Protection class IEC	50° x 70°
Light source replaceable	No	Ready-to-install	Safety class I
Driver/power unit/transformer	PSR [Power supply unit regulating]	Type description	Ready-to-install
Driver included	Yes	CE mark	No
			CE mark

eW Cove MX Powercore Precision Dimming

UL mark	UL and cUL mark
CCC mark	CCC mark

Operating and electrical

Input Voltage	100 to 277 V
Input frequency	50 to 60 Hz

Controls and dimming

Dimmable	Yes
----------	-----

Mechanical and housing

Housing material	Aluminium die-cast
Optic material	Polycarbonate
Optical cover/lens material	Polycarbonate
Length	305 mm
Colour	White

Approval and application

Ingress protection code	IP20 [Finger-protected]
FCC mark	FCC Class B

Initial performance (IEC compliant)

Initial luminous flux (system flux)	476 lm
Initial LED luminaire efficacy	40.0 lm/W
Init. Corr. Colour Temperature	3500 K
Init. Colour rendering index	84
Initial input power	12.5 W

Over time performance (IEC compliant)

Lumen Maintenance 50% at 25 °C Calculated	100000
---	--------

Lumen Maintenance 50% at 25 °C Reported	65000
Lumen Maintenance 50% at 50 °C Calculated	100000
Lumen Maintenance 50% at 50 °C Reported	65000
Lumen Maintenance 70% at 25 °C Calculated	100000
Lumen Maintenance 70% at 25 °C Reported	65000
Lumen Maintenance 70% at 50 °C Calculated	100000
Lumen Maintenance 70% at 50 °C Reported	65000

Application conditions

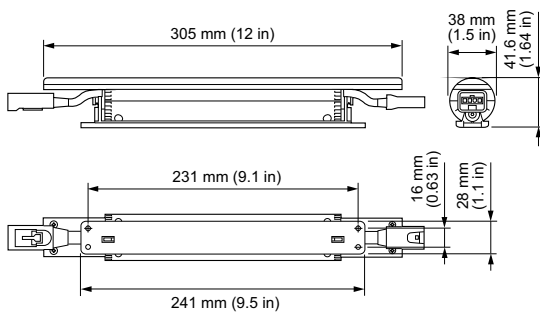
Ambient temperature range	-20 to +50 °C
Maximum dimming level	10% (depends on dimmer, ELV)
Suitable for random switching	Yes

Product data

Full product code	871794379652699
Order product name	BCX416 10xLED-HB-3500 100-277V MB
EAN/UPC – product	8717943796526
Order code	523-000050-09
SAP numerator – quantity per pack	1
Numerator – packs per outer box	20
SAP material	910503700987
Net Weight (Piece)	0.460 kg
Commercial Code	523-000050-09
Catalogue number description	eW Cove MX Powercore, 3500 K, 50° x 70° Beam Angle, 12.5 W/ft, 305 mm (1 ft)



Dimensional drawing



BCX416 10xLED-HB-3500 100-277V MB

eW Cove MX Powercore Precision Dimming

