



eW Cove MX Powercore

BCX416 10xLED-HB/NW-3500 100-277V 120

3500 K - 125° x 120° - Beam angle 120° - 305 mm - White

With its superior light output, wide beam angle, and range of fixed colors and color temperatures, eW Cove MX Powercore can be used for accent lighting and indirect general illumination, as well as the full range of wall and ceiling cove applications. This fixture meets or exceeds the performance of comparable linear fluorescent strip cove lights while lowering installation, energy, and maintenance costs. eW Cove MX Powercore offers environmentally conscious buyers a green, energy-efficient lighting solution without sacrificing quality or quantity of light. Integrated Powercore technology ensures rapid, efficient and accurate control of power output to the fixture directly from line voltage, eliminating the need for external power supplies. Use of standard wiring dramatically simplifies installation and helps lower total system cost.

Product data

General Information		Type description	No
Number of light sources	10 [10 pcs]	CE mark	CE mark
Lamp family code	LED-HB [LED High Brightness]	CCC mark	-
Light source color	Neutral white	Operating and Electrical	
Light source replaceable	No	Input Voltage	100 to 277 V
Driver/power unit/transformer	PSR [Power supply unit regulating]	Input Frequency	50 to 60 Hz
Driver included	Yes	Controls and Dimming	
Optic type	120 [Beam angle 120°]	Dimmable	Yes
Luminaire light beam spread	125° x 120°		
Protection class IEC	Safety class I (I)		
Ready-to-install	-		

eW Cove MX Powercore

Mechanical and Housing

Length	305 mm
Color	White

Approval and Application

Ingress protection code	IP20 [Finger-protected]
-------------------------	--------------------------

Initial Performance (IEC Compliant)

Init. Corr. Color Temperature	3500 K
Init. Color Rendering Index	84

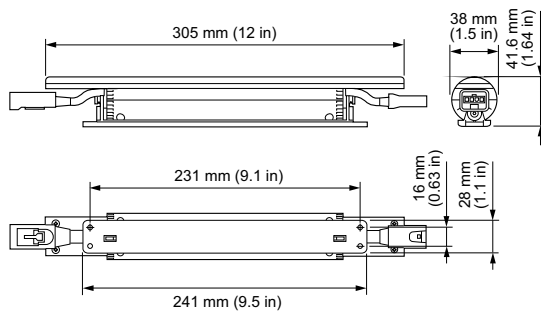
Application Conditions

Ambient temperature range	-20 to +50 °C
Maximum dim level	10% (depends on dimmer, ELV)
Suitable for random switching	Yes (relates to presence/ movement detection and daylight harvesting)

Product Data

Full product code	871794388132199
Order product name	BCX416 10xLED-HB/NW-3500 100-277V 120
EAN/UPC - Product	8717943881321
Order code	910503700988
Numerator - Quantity Per Pack	1
Numerator - Packs per outer box	20
Material Nr. (12NC)	910503700988
Net Weight (Piece)	0.400 kg

Dimensional drawing



Cove

