



iColor Accent MX Powercore

BCP495 200xLED-LP/RGB 100-240V

Red, green and blue - Polycarbonate bowl/cover UV-resistant - 1219 mm - Aluminum

iColor Accent MX Powercore is a direct view linear LED fixture ideally suited for creating long ribbons of color and color-changing effects. Variable resolution offers the precision to display large-scale video, graphics, and intricately designed effects in a host of architectural, retail, and entertainment settings. iColor Accent MX Powercore offers the efficiency and cost-effectiveness of Powercore technology in an outdoor-rated, road-ready aluminum housing. Integrated Powercore technology ensures rapid, efficient and accurate control of power output to the fixture directly from line voltage, eliminating the need for external power supplies.

Product data

General Information	
Number of light sources	200 [200 pcs]
Lamp family code	LED-LP [LED Low Power]
Light source color	Red, green and blue
Light source replaceable	No
Driver included	Yes
Optical cover/lens type	PC-UV [Polycarbonate bowl/cover UV-resistant]
Protection class IEC	Safety class I (I)
CE mark	CE mark
Lifetime to 70% luminous flux	50000 h

Operating and Electrical	
Input Voltage	100 to 240 V
Input Frequency	50 to 60 Hz
Controls and Dimming	
Dimmable	Yes
Mechanical and Housing	
Length	1219 mm
Color	Aluminum

iColor Accent MX Powercore

Approval and Application

Ingress protection code	IP66 [Dust penetration-protected, jet-proof]
-------------------------	---

Initial Performance (IEC Compliant)

Initial luminous flux (system flux)	327 lm
Initial LED luminaire efficacy	9 lm/W
Initial input power	40 W

Over Time Performance (IEC Compliant)

Lumen Maintenance 50% at 50°C Reported	50000
--	-------

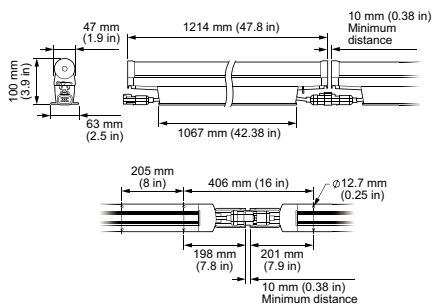
Application Conditions

Ambient temperature range	-20 to +50 °C
---------------------------	---------------

Product Data

Full product code	871794388418699
Order product name	BCP495 200xLED-LP/RGB 100-240V
EAN/UPC - Product	8717943884186
Order code	910503701069
Numerator - Quantity Per Pack	1
Numerator - Packs per outer box	4
Material Nr. (12NC)	910503701069
Net Weight (Piece)	4.000 kg

Dimensional drawing



iColor Accent MX Powercore

