



eW Accent MX Powercore

BCP496 100xLED-LP/WW 100-240V

Warm white - 100 to 240 V

eW Accent MX Powercore is a direct view linear LED fixture ideally suited for highlighting exterior architectural details with long ribbons of intense, high-quality white light in a warm 2700 K or a cool 4000 K. Variable resolution offers the ability to individually control the brightness of discrete segments of each fixture for black-and-white-only effects, video, and graphics. Integrated Powercore technology ensures rapid, efficient and accurate control of power output to the fixture directly from line voltage, eliminating the need for external power supplies.

Product data

General Information	
Number of light sources	100 [100 pcs]
Lamp family code	LED-LP [LED Low Power]
Light source color	Warm white
Light source replaceable	No
Driver included	Yes
Protection class IEC	Safety class I (I)
CE mark	CE mark
Lifetime to 70% luminous flux	50000 h

Operating and Electrical	
Input Voltage	100 to 240 V
Input Frequency	50 to 60 Hz

Controls and Dimming	
Dimmable	Yes

Approval and Application	
Ingress protection code	IP66 [Dust penetration-protected, jet-proof]

Initial Performance (IEC Compliant)	
Initial luminous flux (system flux)	180 lm
Initial LED luminaire efficacy	9 lm/W
Init. Corr. Color Temperature	2700 K
Initial input power	20 W

Application Conditions	
Ambient temperature range	-20 to +50 °C

eW Accent MX Powercore

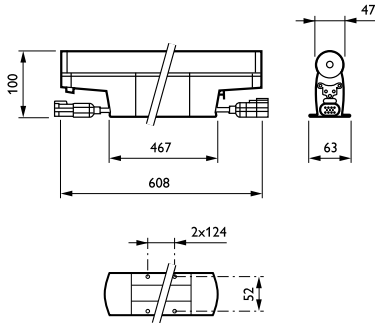
Product Data

Full product code	871794379484399
Order product name	BCP496 100xLED-LP/WW 100-240V
EAN/UPC - Product	8717943794843
Order code	910503701124
Numerator - Quantity Per Pack	1

Numerator - Packs per outer box	4
Material Nr. (12NC)	910503701124
Net Weight (Piece)	1.900 kg



Dimensional drawing



eW Accent MX Powercore

