



ColorBurst Powercore

BCP462 19xLED-HB/RGB 100-240V HMA WH

Housing with medium-length arm - White

ColorBurst Powercore is a high-output, exterior-rated LED lighting fixture designed for accent and site lighting. Standard and compact format Architectural and Landscape fixtures deliver full-color light output to support a range of dynamic uplighting, floodlighting, and decorative lighting applications. Integrated Powercore technology ensures rapid, efficient and accurate control of power output to the fixture directly from line voltage, eliminating the need for external power supplies. Use of standard wiring dramatically simplifies installation and helps lower total system cost. For more information please visit www.colorkinetics.com/Products.

Product data

General Information	
Number of light sources	19 pcs
Lamp family code	LED-HB [LED High Brightness]
Light source color	Red, green and blue
Light source replaceable	No
Driver included	No
Protection class IEC	Safety class I
CE mark	CE mark
UL mark	UL mark
Lifetime to 50% luminous flux	120000 h
Lifetime to 70% luminous flux	90000 h
Operating and Electrical	
Input Voltage	100 to 240 V
Input Frequency	50 to 60 Hz

Controls and Dimming	
Dimmable	No
Mechanical and Housing	
Housing configuration	Housing with medium-length arm
Color	White

Approval and Application	
Ingress protection code	IP66 [Dust penetration-protected, jet-proof]

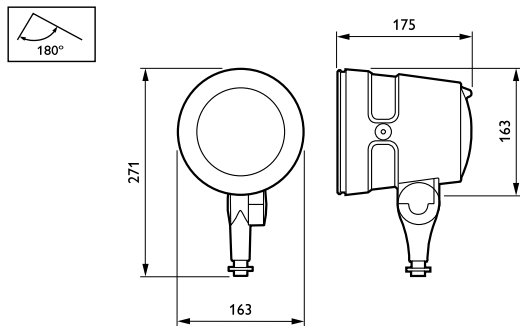
Product Data	
Full product code	871794388499599
Order product name	BCP462 19xLED-HB/RGB 100-240V HMA WH
EAN/UPC - Product	8717943884995
Order code	910503701706
Numerator - Quantity Per Pack	1
Numerator - Packs per outer box	2

ColorBurst Powercore

Material Nr. (12NC)	910503701706
Net Weight (Piece)	3.380 kg



Dimensional drawing



ColorBurst Powercore

