



# eW Cove MX Powercore

## eW Cove MX Powercore, 4000 K, 125° x 120° Beam Angle, 12.5 W/ft, 305 mm (1 ft)

eW Cove MX Powercore, 4000 K, 125° x 120° Beam Angle, 12.5 W/ft, 305 mm (1 ft)

eW Cove MX Powercore delivers the highest light output in the line of solid white linear cove lights from Color Kinetics. eW Cove MX Powercore can be used for accent lighting and indirect general illumination, as well as the full range of wall and ceiling cove applications. eW Cove MX Powercore meets or exceeds the performance of comparable linear fluorescent strip cove lights while lowering installation, energy, and maintenance costs. eW Cove MX Powercore offers environmentally conscious buyers a green, energy-efficient lighting solution without sacrificing quality or quantity of light.

### Product data

General information		Ready-to-install	
Number of light sources	10 pcs	Type description	-
Lamp family code	LED-HB [ LED High Brightness]	CE mark	CE mark
Light source color	Neutral white	UL mark	UL and cUL mark
Light source replaceable	No	CCC mark	CCC mark
Driver/power unit/transformer	Power supply unit regulating	Operating and electrical	
Driver included	Yes	Input Voltage	100 to 277 V
Optic type	Wide beam	Input Frequency	50 to 60 Hz
Optical cover/lens type	Polycarbonate bowl/cover		
Luminaire light beam spread	125° x 120°		
Protection class IEC	Safety class I		

# eW Cove MX Powercore

## Controls and dimming

Dimmable	Yes
----------	-----

## Mechanical and housing

Housing Material	Aluminum die cast
Optic material	Polycarbonate
Optical cover/lens material	Polycarbonate
Length	305 mm
Color	White

## Approval and application

Ingress protection code	IP20 [ Finger-protected]
FCC mark	FCC Class B

## Initial performance (IEC compliant)

Initial luminous flux (system flux)	696 lm
Initial luminous flux at color temperature of 4000 K	696 lm
Initial LED luminaire efficacy	53.1 lm/W
Init. Corr. Color Temperature	4000 K
Init. Color Rendering Index	83
Initial input power	12.5 W

## Over time performance (IEC compliant)

Lumen Maintenance 50% at 25°C Calculated	100000
Lumen Maintenance 50% at 25°C Reported	65000
Lumen Maintenance 50% at 50°C Calculated	100000

Lumen Maintenance 50% at 50°C Reported	65000
Lumen Maintenance 70% at 25°C Calculated	100000
Lumen Maintenance 70% at 25°C Reported	65000
Lumen Maintenance 70% at 50°C Calculated	100000
Lumen Maintenance 70% at 50°C Reported	65000

## Application conditions

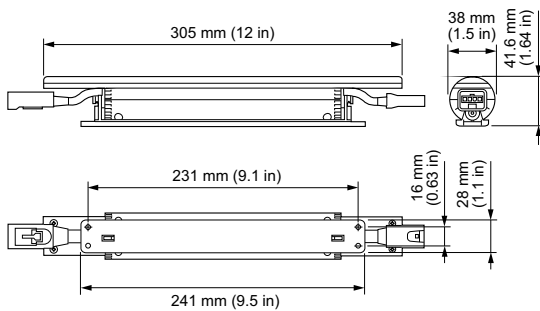
Ambient temperature range	-20 to +50 °C
Maximum dim level	10% (depends on dimmer, ELV)
Suitable for random switching	Yes

## Product data

Full product code	871829137628699
Order product name	BCX416 10xLED-HB/4000 100-277V WB
EAN/UPC - Product	8718291376286
Order code	523-000050-20
Numerator - Quantity Per Pack	1
Numerator - Packs per outer box	20
Material Nr. (12NC)	910503701729
Net Weight (Piece)	0.400 kg
Catalog Number	523-000050-20
Catalog Number Description	eW Cove MX Powercore, 4000 K, 125° x 120° Beam Angle, 12.5 W/ft, 305 mm (1 ft)



## Dimensional drawing



BCX416 10xLED-HB/4000 100-277V WB

