



iW Fuse Powercore

LS516XLED4--2700-6500 100-240V NB WH

827 warm white - 10° x 60° - Narrow beam - 305 mm - White

With narrow beams of high-quality intelligent white light, iW Fuse Powercore is an excellent choice for a full range of surface grazing, wall-washing, and accent lighting applications. Its ultra-compact form factor permits installation in tight spaces too small to accommodate conventional grazing fixtures that offer similar level and distribution of light. With three channels of warm, neutral, and cool LED sources, this compact, versatile fixture offers a wide range of color temperatures. iW Fuse Powercore combines high-intensity, professional-grade light output with the efficiency and cost-effectiveness provided by Powercore technology. Integrated Powercore technology ensures rapid, efficient and accurate control of power output to the fixture directly from line voltage, eliminating the need for external power supplies. Use of standard wiring dramatically simplifies installation and helps lower total system cost.

Product data

General Information	
Lamp family code	LED4 [LED Module 400 lm]
Light source color	827 warm white
Light source replaceable	No
Driver included	Yes
Optic type	NB [Narrow beam]
Luminaire light beam spread	10° x 60°
Protection class IEC	Safety class I (I)
Glow-wire test	850/5 [Temperature 850 °C, duration 5 s]
Type description	No
CE mark	CE mark
UL mark	UL and cUL mark

CCC mark	CCC mark
Operating and Electrical	
Input Voltage	100 to 240 V
Input Frequency	50 to 60 Hz
Controls and Dimming	
Dimmable	Yes
Mechanical and Housing	
Housing Material	Aluminum die-cast
Optical cover/lens material	Polycarbonate
Length	305 mm

iW Fuse Powercore

Color	White
Approval and Application	
Ingress protection code	IP20 [Finger-protected]
Mech. impact protection code	IK02 [0.2 J standard]
Initial Performance (IEC Compliant)	
Initial luminous flux (system flux)	613 lm
Init. Corr. Color Temperature	2700 to 6500 K
Init. Color Rendering Index	81
Over Time Performance (IEC Compliant)	
Lumen Maintenance 50% at 25°C Reported	50000
Lumen Maintenance 50% at 50°C Reported	50000
Lumen Maintenance 70% at 25°C Reported	50000
Lumen Maintenance 70% at 50°C Reported	50000

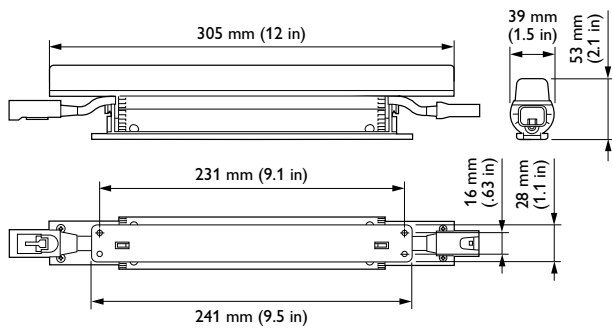
Application Conditions

Ambient temperature range	-20 to +50 °C
Maximum dim level	0% (digital)
Suitable for random switching	Yes

Product Data

Full product code	871794379395299
Order product name	LS516XLED4--2700-6500 100-240V NB WH
EAN/UPC - Product	8717943793952
Order code	910503701785
Numerator - Quantity Per Pack	1
Numerator - Packs per outer box	20
Material Nr. (12NC)	910503701785
Net Weight (Piece)	0.445 kg

Dimensional drawing



iW Fuse Powercore

