



iW Burst Powercore

BCP464 18xLED-HB-2700-6500 HMA GR

18 pcs - LED High Brightness

iW Burst Powercore is a high-output, exterior-rated LED spotlight designed for accent and site lighting. It combines channels of warm and cool LEDs to offer variable color temperatures ranging from warm to cool. Standard and compact format Architectural and Landscape versions support a range of uplighting, floodlighting, and decorative lighting applications. Integrated Powercore technology ensures rapid, efficient and accurate control of power output to the fixture directly from line voltage, eliminating the need for external power supplies. Use of standard wiring dramatically simplifies installation and helps lower total system cost.

Product data

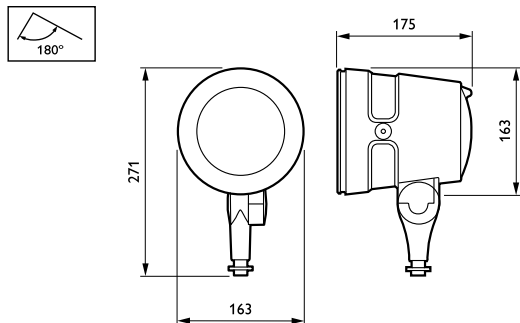
General Information	
Number of light sources	18 [18 pcs]
Lamp family code	LED-HB [LED High Brightness]
Light source replaceable	No
Protection class IEC	Safety class I (I)
CE mark	CE mark
UL mark	UL mark
Operating and Electrical	
Input Frequency	50 to 60 Hz
Mechanical and Housing	
Housing configuration	HMA [Housing with medium-length arm]
Color	Gray
Approval and Application	
Ingress protection code	IP66 [Dust penetration-protected, jet-proof]

Initial Performance (IEC Compliant)	
Init. Corr. Color Temperature	2700 to 6500 K
Product Data	
Full product code	871794379397699
Order product name	BCP464 18xLED-HB-2700-6500 HMA GR
EAN/UPC - Product	8717943793976
Order code	910503702055
Numerator - Quantity Per Pack	1
Numerator - Packs per outer box	2
Material Nr. (12NC)	910503702055
Net Weight (Piece)	3.380 kg



iW Burst Powercore

Dimensional drawing



iW Burst Powercore

