



iW Burst Powercore

BCP464 18xLED-HB-2700-6500 HMA GR

18 pcs - LED High Brightness

iW Burst Powercore is a high-output, exterior-rated LED spotlight designed for accent and site lighting. It combines channels of warm and cool LEDs to offer variable color temperatures ranging from warm to cool. Standard and compact format Architectural and Landscape versions support a range of uplighting, floodlighting, and decorative lighting applications. Integrated Powercore technology ensures rapid, efficient and accurate control of power output to the fixture directly from line voltage, eliminating the need for external power supplies. Use of standard wiring dramatically simplifies installation and helps lower total system cost. For more information please visit www.colorkinetics.com/Products.

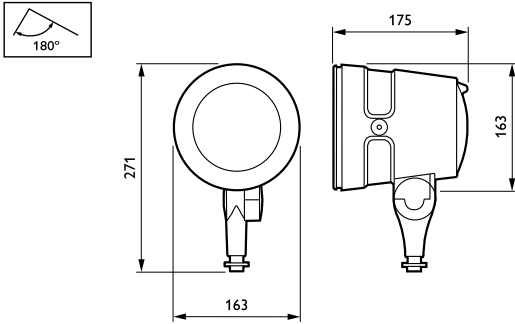
Product data

General Information		Approval and Application	
Number of light sources	18 pcs	Ingress protection code	IP66 [Dust penetration-protected, jet-proof]
Lamp family code	LED-HB [LED High Brightness]	Initial Performance (IEC Compliant)	
Light source replaceable	No	Init. Corr. Color Temperature	2700 to 6500 K
Protection class IEC	Safety class I	Product Data	
CE mark	CE mark	Full product code	871794379397699
UL mark	UL mark	Order product name	BCP464 18xLED-HB-2700-6500 HMA GR
Operating and Electrical		EAN/UPC - Product	8717943793976
Input Frequency	50 to 60 Hz	Order code	910503702055
Mechanical and Housing		Numerator - Quantity Per Pack	1
Housing configuration	Housing with medium-length arm	Numerator - Packs per outer box	2
Color	Gray	Material Nr. (12NC)	910503702055
		Net Weight (Piece)	3.380 kg

iW Burst Powercore



Dimensional drawing



iW Burst Powercore

