



# iW Burst Powercore

## BCP464 18xLED-HB-2700-6500 HMA BK

18 pcs - LED High Brightness - Housing with medium-length arm

iW Burst Powercore is a high-output, exterior-rated LED spotlight designed for accent and site lighting. It combines channels of warm and cool LEDs to offer variable color temperatures ranging from warm to cool. Standard and compact format Architectural and Landscape versions support a range of uplighting, floodlighting, and decorative lighting applications. Integrated Powercore technology ensures rapid, efficient and accurate control of power output to the fixture directly from line voltage, eliminating the need for external power supplies. Use of standard wiring dramatically simplifies installation and helps lower total system cost.

### Product data

General Information	
Number of light sources	18 [ 18 pcs]
Lamp family code	LED-HB [ LED High Brightness]
Light source replaceable	No
Driver included	No
Protection class IEC	Safety class I (I)
CE mark	CE mark
UL mark	UL mark
Lifetime to 50% luminous flux	120000 h
Lifetime to 70% luminous flux	90000 h

Operating and Electrical	
Input Voltage	100 to 240 V
Input Frequency	50 to 60 Hz

Controls and Dimming	
Dimmable	Yes

Mechanical and Housing	
Housing configuration	HMA [ Housing with medium-length arm]
Color	Black

Approval and Application	
Ingress protection code	IP66 [ Dust penetration-protected, jet-proof]

Initial Performance (IEC Compliant)	
Init. Corr. Color Temperature	2700 to 6500 K

Product Data	
Full product code	871794379399099
Order product name	BCP464 18xLED-HB-2700-6500 HMA BK
EAN/UPC - Product	8717943793990

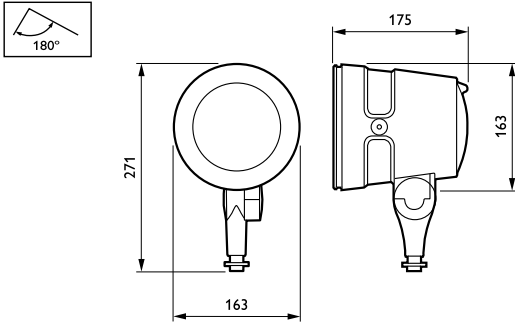
## iW Burst Powercore

Order code	910503702139
Numerator - Quantity Per Pack	1
Numerator - Packs per outer box	2
Material Nr. (12NC)	910503702139

Net Weight (Piece)	3.380 kg
--------------------	----------



### Dimensional drawing



iW Burst Powercore

