



iW Burst Powercore

BCP464 18xLED-HB-2700-6500 WH

18 pcs - LED High Brightness - Basic version

iW Burst Powercore is a high-output, exterior-rated LED spotlight designed for accent and site lighting. It combines channels of warm and cool LEDs to offer variable color temperatures ranging from warm to cool. Standard and compact format Architectural and Landscape versions support a range of uplighting, floodlighting, and decorative lighting applications. Integrated Powercore technology ensures rapid, efficient and accurate control of power output to the fixture directly from line voltage, eliminating the need for external power supplies. Use of standard wiring dramatically simplifies installation and helps lower total system cost. For more information please visit www.colorkinetics.com/Products.

Product data

General Information		Controls and Dimming	
Number of light sources	18 pcs	Dimmable	Yes
Lamp family code	LED-HB [LED High Brightness]		
Light source replaceable	No	Mechanical and Housing	
Driver included	No	Housing configuration	Basic version
Protection class IEC	Safety class I	Color	White
CE mark	CE mark		
UL mark	UL mark	Approval and Application	
Lifetime to 50% luminous flux	120000 h	Ingress protection code	IP66 [Dust penetration-protected, jet-proof]
Lifetime to 70% luminous flux	90000 h		
Operating and Electrical		Initial Performance (IEC Compliant)	
Input Voltage	100 to 240 V	Init. Corr. Color Temperature	2700 to 6500 K
Input Frequency	50 to 60 Hz		
		Product Data	
		Full product code	871794379402799
		Order product name	BCP464 18xLED-HB-2700-6500 WH

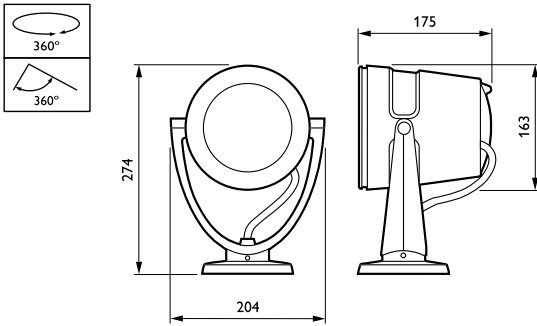
iW Burst Powercore

EAN/UPC - Product	8717943794027
Order code	910503702143
Numerator - Quantity Per Pack	1
Numerator - Packs per outer box	2
Material Nr. (12NC)	910503702143

Net Weight (Piece)	5.000 kg
--------------------	----------



Dimensional drawing



iW Burst Powercore

