



eColor Blast Powercore BCP473

BCP473 36xLED-HB/BL 100-277V 10 WH

Blue - Narrow beam angle 10° - White

eColor Blast Powercore is an LED lighting fixture providing a high-intensity wash of colored light while offering superior energy efficiency. Rated for outdoor use, eColor Blast Powercore offers the efficiency and cost-effectiveness of Powercore technology in a rugged die-cast aluminum housing. eColor Blast Powercore is ideal for applications as diverse as highlighting architectural features, lighting signage, and accent lighting in retail and other interior spaces. For more information please visit www.colorkinetics.com/Products.

Product data

| General Information | |
|-------------------------------|----------------------------------|
| Number of light sources | 36 pcs |
| Lamp family code | LED-HB [LED High Brightness] |
| Light source color | Blue |
| Light source replaceable | No |
| Driver included | Yes |
| Protection class IEC | Safety class I |
| Glow-wire test | Temperature 650 °C, duration 5 s |
| CE mark | CE mark |
| UL mark | UL mark |
| Lifetime to 50% luminous flux | 90000 h |
| Lifetime to 70% luminous flux | 70000 h |
| Optic type outdoor | Narrow beam angle 10° |

| Operating and Electrical | |
|------------------------------|---|
| Input Voltage | 100 to 277 V |
| Input Frequency | 50 to 60 Hz |
| Controls and Dimming | |
| Dimmable | Yes |
| Mechanical and Housing | |
| Color | White |
| Approval and Application | |
| Ingress protection code | IP66 [Dust penetration-protected, jet-proof] |
| Mech. impact protection code | IK10 [20 J vandal-resistant] |

eColor Blast Powercore BCP473

Initial Performance (IEC Compliant)

Initial input power 50 W

Application Conditions

Ambient temperature range -20 to +50 °C

Product Data

Full product code 871794379861299

Order product name BCP473 36xLED-HB/BL 100-277V 10 WH

EAN/UPC - Product 8717943798612

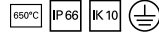
Order code 910503702328

Numerator - Quantity Per Pack 1

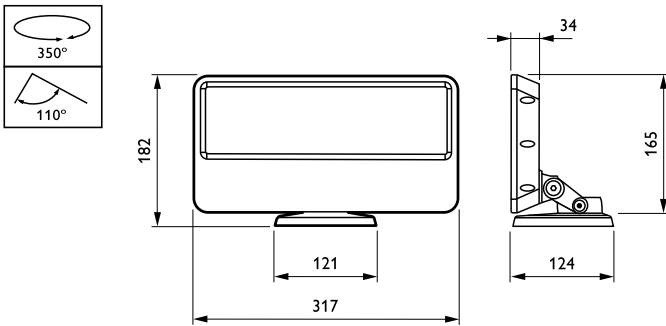
Numerator - Packs per outer box 2

Material Nr. (12NC) 910503702328

Net Weight (Piece) 3.000 kg



Dimensional drawing



eColor Blast Powercore

