



iW Blast PowerCore

BCP474 36xLED-HB-2700-6500 83 WH

2700 to 6500 K - Very wide beam angle 83° - White

iW Blast Powercore is an intelligent, high-performance white-light LED fixture offering adjustable color temperatures ranging from a warm 2700K to a cool 6500K. Rated for outdoor use, iW Blast Powercore is designed for wall-washing and floodlighting applications which require variable brightness and color temperature. Integrated Powercore technology ensures rapid, efficient and accurate control of power output to the fixture directly from line voltage, eliminating the need for external power supplies. Use of standard wiring dramatically simplifies installation and helps lower total system cost. For more information please visit www.colorkinetics.com/Products.

Product data

General Information		Input Frequency	
Number of light sources	36 pcs	Input Frequency	50 to 60 Hz
Lamp family code	LED-HB [LED High Brightness]	Controls and Dimming	
Light source replaceable	No	Dimmable	Yes
Driver included	Yes	Mechanical and Housing	
Protection class IEC	Safety class I	Color	White
Glow-wire test	Temperature 650 °C, duration 5 s	Approval and Application	
CE mark	CE mark	Ingress protection code	IP66 [Dust penetration-protected, jet-proof]
UL mark	UL mark	Mech. impact protection code	IK10 [20 J vandal-resistant]
Lifetime to 50% luminous flux	90000 h	Initial Performance (IEC Compliant)	
Lifetime to 70% luminous flux	70000 h	Initial luminous flux (system flux)	1822 lm
Optic type outdoor	Very wide beam angle 83°	Initial LED luminaire efficacy	36.4 lm/W
Operating and Electrical		Init. Corr. Color Temperature	2700 to 6500 K
Input Voltage	100 to 240 V		

iW Blast PowerCore

Init. Color Rendering Index	82
Initial input power	50 W

Application Conditions

Ambient temperature range	-20 to +50 °C
---------------------------	---------------

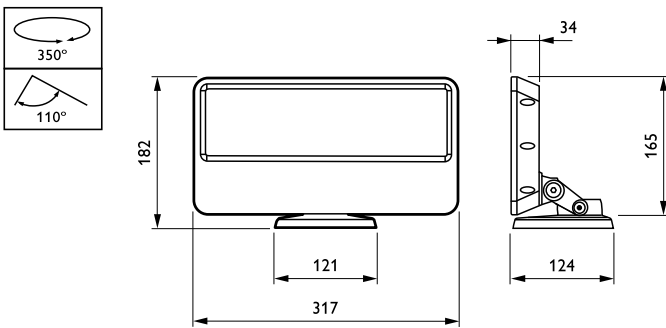
Product Data

Full product code	871794379547599
Order product name	BCP474 36xLED-HB-2700-6500 83 WH

EAN/UPC - Product	8717943795475
Order code	910503702361
Numerator - Quantity Per Pack	1
Numerator - Packs per outer box	2
Material Nr. (12NC)	910503702361
Net Weight (Piece)	3.000 kg



Dimensional drawing



iW Blast Powercore

