



eColor Blast Powercore BCP473

BCP473 36xLED-HB/BL 100-277V 23 WH

Blue - Medium beam angle 23° - White

eColor Blast Powercore is an LED lighting fixture providing a high-intensity wash of colored light while offering superior energy efficiency. Rated for outdoor use, eColor Blast Powercore offers the efficiency and cost-effectiveness of Powercore technology in a rugged die-cast aluminum housing. eColor Blast Powercore is ideal for applications as diverse as highlighting architectural features, lighting signage, and accent lighting in retail and other interior spaces. For more information please visit www.colorkinetics.com/Products.

Product data

General Information		Operating and Electrical	
Number of light sources	36 pcs	Input Voltage	100 to 277 V
Lamp family code	LED-HB [LED High Brightness]	Input Frequency	50 to 60 Hz
Light source color	Blue	Controls and Dimming	
Light source replaceable	No	Dimmable	Yes
Driver included	Yes	Mechanical and Housing	
Protection class IEC	Safety class I	Color	White
Glow-wire test	Temperature 650 °C, duration 5 s	Approval and Application	
CE mark	CE mark	Ingress protection code	IP66 [Dust penetration-protected, jet-proof]
UL mark	UL mark	Mech. impact protection code	IK10 [20 J vandal-resistant]
Lifetime to 50% luminous flux	90000 h		
Lifetime to 70% luminous flux	70000 h		
Optic type outdoor	Medium beam angle 23°		

eColor Blast Powercore BCP473

Initial Performance (IEC Compliant)

Initial input power 50 W

Application Conditions

Ambient temperature range -20 to +50 °C

Product Data

Full product code 871794379863699

Order product name BCP473 36xLED-HB/BL 100-277V 23 WH

EAN/UPC - Product 8717943798636

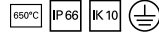
Order code 910503702396

Numerator - Quantity Per Pack 1

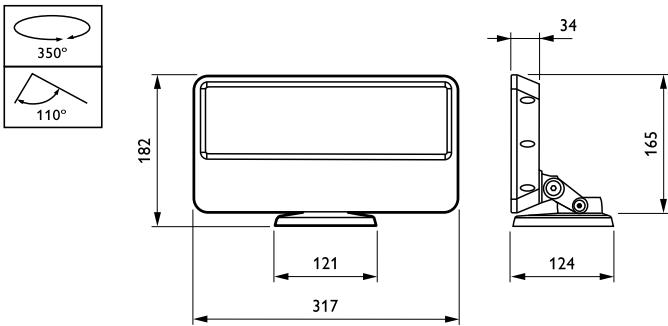
Numerator - Packs per outer box 2

Material Nr. (12NC) 910503702396

Net Weight (Piece) 3.000 kg



Dimensional drawing



eColor Blast Powercore

