



eColor Blast Powercore BCP473

BCP473 36xLED-HB/BL 100-277V 36 WH

Blue - Narrow beam angle 10° - White

eColor Blast Powercore is an LED lighting fixture providing a high-intensity wash of colored light while offering superior energy efficiency. Rated for outdoor use, eColor Blast Powercore offers the efficiency and cost-effectiveness of Powercore technology in a rugged die-cast aluminum housing. eColor Blast Powercore is ideal for applications as diverse as highlighting architectural features, lighting signage, and accent lighting in retail and other interior spaces. For more information please visit www.colorkinetics.com/Products.

Product data

General Information	
Number of light sources	36 pcs
Lamp family code	LED-HB [LED High Brightness]
Light source color	Blue
Light source replaceable	No
Driver included	Yes
Protection class IEC	Safety class I
Glow-wire test	Temperature 650 °C, duration 5 s
CE mark	CE mark
UL mark	UL mark
Lifetime to 50% luminous flux	90000 h
Lifetime to 70% luminous flux	70000 h
Optic type outdoor	Narrow beam angle 10°

Operating and Electrical	
Input Voltage	100 to 277 V
Input Frequency	50 to 60 Hz
Controls and Dimming	
Dimmable	Yes
Mechanical and Housing	
Color	White
Approval and Application	
Ingress protection code	IP66 [Dust penetration-protected, jet-proof]
Mech. impact protection code	IK10 [20 J vandal-resistant]

eColor Blast Powercore BCP473

Initial Performance (IEC Compliant)

Initial input power 50 W

Application Conditions

Ambient temperature range -20 to +50 °C

Product Data

Full product code 871794379868199

Order product name BCP473 36xLED-HB/BL 100-277V 36 WH

EAN/UPC - Product 8717943798681

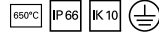
Order code 910503702398

Numerator - Quantity Per Pack 1

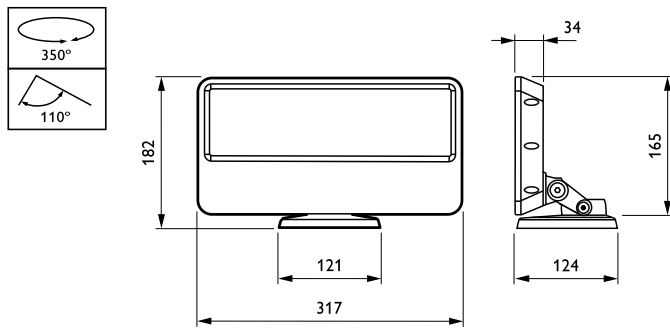
Numerator - Packs per outer box 2

Material Nr. (12NC) 910503702398

Net Weight (Piece) 3.000 kg



Dimensional drawing



eColor Blast Powercore

