



eW Cove MX Powercore

BCX416 10xLED-HB/3500 100-277V L1220 WB

eW Cove MX Powercore, 3500 K, 125° x 120° Beam Angle, 12.5 W/ft, 1.2 m (4 ft)

With its superior light output, wide beam angle, and range of fixed colors and color temperatures, eW Cove MX Powercore can be used for accent lighting and indirect general illumination, as well as the full range of wall and ceiling cove applications. This fixture meets or exceeds the performance of comparable linear fluorescent strip cove lights while lowering installation, energy, and maintenance costs. eW Cove MX Powercore offers environmentally conscious buyers a green, energy-efficient lighting solution without sacrificing quality or quantity of light. Integrated Powercore technology ensures rapid, efficient and accurate control of power output to the fixture directly from line voltage, eliminating the need for external power supplies. Use of standard wiring dramatically simplifies installation and helps lower total system cost.

Product data

General Information		Protection class IEC	
Number of light sources	10 [10 pcs]	Protection class IEC	Safety class I (I)
Lamp family code	LED-HB [LED High Brightness]	Ready-to-install	Ready-to-install
Light source colour	Neutral white	Type description	No
Light source replaceable	No	CE mark	CE mark
Driver/power unit/transformer	PSR [Power supply unit regulating]	UL mark	UL and cUL mark
Driver included	Yes	CCC mark	CCC mark
Optic type	WB [Wide beam]	Operating and Electrical	
Optical cover/lens type	PC [Polycarbonate bowl/cover]	Input Voltage	100 to 277 V
Luminaire light beam spread	125° x 120°		

eW Cove MX Powercore

Input frequency	50 to 60 Hz
-----------------	-------------

Controls and Dimming

Dimmable	Yes
----------	-----

Mechanical and Housing

Housing material	Aluminum die-cast
Optic material	Polycarbonate
Optical cover/lens material	Polycarbonate
Length	1220 mm
Colour	White

Approval and Application

Ingress protection code	IP20 [Finger-protected]
-------------------------	--------------------------

Initial Performance (IEC Compliant)

Initial luminous flux (system flux)	2721 lm
Initial LED luminaire efficacy	48.4 lm/W
Init. Corr. Colour Temperature	3500 K
Init. Colour rendering index	84
Initial input power	50 W

Over Time Performance (IEC Compliant)

Lumen Maintenance 50% at 25 °C Calculated	100000
Lumen Maintenance 50% at 25 °C Reported	65000
Lumen Maintenance 50% at 50 °C Calculated	100000
Lumen Maintenance 50% at 50 °C Reported	65000

Lumen Maintenance 70% at 25 °C Calculated	100000
Lumen Maintenance 70% at 25 °C Reported	65000
Lumen Maintenance 70% at 50 °C Calculated	100000
Lumen Maintenance 70% at 50 °C Reported	65000

Application Conditions

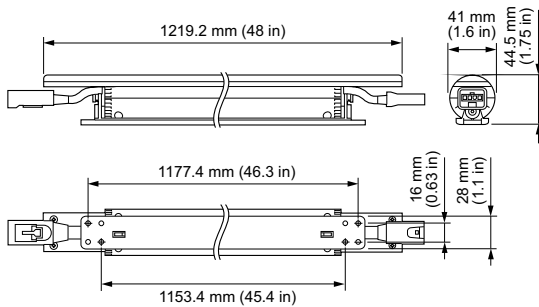
Ambient temperature range	-20 to +50 °C
Maximum dimming level	10% (depends on dimmer, ELV)
Suitable for random switching	Yes

Product Data

Full product code	871829137859499
Order product name	BCX416 10xLED-HB/3500 100-277V L1220 WB
EAN/UPC – product	8718291378594
Order code	523-000050-24
SAP numerator – quantity per pack	1
Numerator – packs per outer box	6
SAP material	910503702682
SAP net weight (piece)	1.800 kg
Commercial Code	523-000050-24
Catalogue number description	eW Cove MX Powercore, 3500 K, 125° x 120° Beam Angle, 12.5 W/ft, 1.2 m (4 ft)



Dimensional drawing



BCX416 10xLED-HB/3500 100-277V L1220 WB

