



Vaya Flood MP

BCP416 30xLED-HB/RD 220-240 40 CE CQC

30 pcs - LED High Brightness - Medium beam angle 40°

Vaya Flood MP gen2 is a reliable and cost effective LED flood lighting solution for both interior and exterior use that minimizes the initial investment, while providing exceptional flexibility to create eye-catching flood, wash and accent lighting effects. A wide choice of beam angles and color options let you bring a property to life with either static or dynamically changing colors. Extended light throw and high efficacy set this compact & robust luminaire apart. Its integrated power and adjustable tilt angle make this product versatile and easy to use.

Product data

General Information		WEEE mark	
Number of light sources	30 pcs	WEEE mark	-
Lamp family code	LED-HB [LED High Brightness]	Light Technical	
Light source color	Red	Standard tilt angle posttop	0°
Light source replaceable	No	Standard tilt angle side entry	0°
Driver included	Yes	Operating and Electrical	
Optical cover/lens type	Flat glass	Input Voltage	220 to 240 V
Protection class IEC	Safety class I	Input Frequency	50 to 60 Hz
Type description	-	Controls and Dimming	
CE mark	CE mark	Dimmable	Yes
ENEC mark	ENEC mark	Mechanical and Housing	
UL mark	UL mark	Housing Material	Aluminum
CQC mark	CQC-mark	Optical cover/lens material	Glass
Lifetime to 70% luminous flux	50000 h		
Optic type outdoor	Medium beam angle 40°		
PSE mark	No		
RoHS mark	-		

Vaya Flood MP

Approval and Application

Ingress protection code	IP66 [Dust penetration-protected, jet-proof]
Mech. impact protection code	IK06 [1 J]

Initial Performance (IEC Compliant)

Initial LED luminaire efficacy	45 lm/W
Init. Color Rendering Index	80
Initial input power	73 W

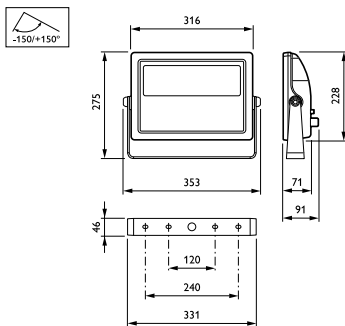
Application Conditions

Ambient temperature range	-20 to +40 °C
---------------------------	---------------

Product Data

Full product code	871829160138899
Order product name	BCP416 30xLED-HB/RD 220-240 40 CE CQC
EAN/UPC - Product	8718291601388
Order code	910503702959
Numerator - Quantity Per Pack	1
Numerator - Packs per outer box	2
Material Nr. (12NC)	910503702959
Net Weight (Piece)	5.700 kg

Dimensional drawing



Vaya

