



Vaya Flood MP

BCP416 30xLED-HB/AM 220-240 40 CE CQC

30 pcs - LED High Brightness - Medium beam angle 40°

Vaya Flood MP gen2 is a reliable and cost effective LED flood lighting solution for both interior and exterior use that minimizes the initial investment, while providing exceptional flexibility to create eye-catching flood, wash and accent lighting effects. A wide choice of beam angles and color options let you bring a property to life with either static or dynamically changing colors. Extended light throw and high efficacy set this compact & robust luminaire apart. Its integrated power and adjustable tilt angle make this product versatile and easy to use.

Product data

| General Information | | WEEE mark | |
|-------------------------------|-------------------------------|--------------------------------|--------------|
| Number of light sources | 30 pcs | WEEE mark | - |
| Lamp family code | LED-HB [LED High Brightness] | Light Technical | |
| Light source color | Amber | Standard tilt angle posttop | 0° |
| Light source replaceable | No | Standard tilt angle side entry | 0° |
| Driver included | Yes | Operating and Electrical | |
| Optical cover/lens type | Flat glass | Input Voltage | 220 to 240 V |
| Protection class IEC | Safety class I | Input Frequency | 50 to 60 Hz |
| Type description | - | Controls and Dimming | |
| CE mark | CE mark | Dimmable | Yes |
| ENEC mark | ENEC mark | Mechanical and Housing | |
| UL mark | UL mark | Housing Material | Aluminum |
| CQC mark | CQC-mark | Optical cover/lens material | Glass |
| Lifetime to 70% luminous flux | 50000 h | | |
| Optic type outdoor | Medium beam angle 40° | | |
| PSE mark | No | | |
| RoHS mark | - | | |

Vaya Flood MP

Approval and Application

| | |
|------------------------------|---|
| Ingress protection code | IP66 [Dust penetration-protected, jet-proof] |
| Mech. impact protection code | IK06 [1 J] |

Initial Performance (IEC Compliant)

| | |
|--------------------------------|---------|
| Initial LED luminaire efficacy | 45 lm/W |
| Init. Color Rendering Index | 80 |
| Initial input power | 73 W |

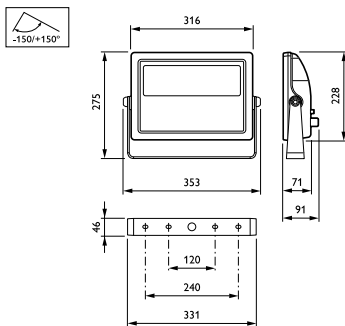
Application Conditions

| | |
|---------------------------|---------------|
| Ambient temperature range | -20 to +40 °C |
|---------------------------|---------------|

Product Data

| | |
|---------------------------------|---------------------------------------|
| Full product code | 871829160147099 |
| Order product name | BCP416 30xLED-HB/AM 220-240 40 CE CQC |
| EAN/UPC - Product | 8718291601470 |
| Order code | 910503702983 |
| Numerator - Quantity Per Pack | 1 |
| Numerator - Packs per outer box | 2 |
| Material Nr. (12NC) | 910503702983 |
| Net Weight (Piece) | 5.700 kg |

Dimensional drawing



Vaya

