



Vaya Flood LP Small

BCP412 18xLED-HB/3000 100-240 10 CE CQC

18 pcs - LED High Brightness - Narrow beam angle 10°

With budgets under pressure, property owners and developers are looking, more than ever, for value for money when it comes to capital expenditures. Vaya Flood is an affordable and reliable LED solution that minimizes the initial investment, while providing exceptional flexibility to create eye-catching, dynamic and colorful lighting effects that can bring a property to life. The robust Vaya Flood offers a wide choice of mono colors with a simple on-off switch and changing colors with a standard DMX512 controller. It is also extremely easy to install and aim.

Product data

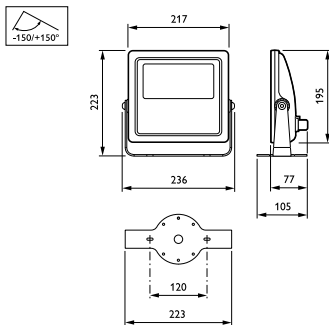
General Information	
Number of light sources	18 [18 pcs]
Lamp family code	LED-HB [LED High Brightness]
Light source replaceable	No
Driver included	Yes
Optical cover/lens type	FG [Flat glass]
Protection class IEC	Safety class I (I)
Type description	No
CE mark	CE mark
ENEC mark	ENEC mark
UL mark	UL mark
CQC mark	CQC-mark
Lifetime to 70% luminous flux	50000 h
Optic type outdoor	Narrow beam angle 10°
PSE mark	No
RoHS mark	-
WEEE mark	-

Light Technical	
Standard tilt angle posttop	0°
Standard tilt angle side entry	0°
Operating and Electrical	
Input Voltage	100 to 240 V
Input Frequency	50 to 60 Hz
Controls and Dimming	
Dimmable	Yes
Mechanical and Housing	
Housing Material	Aluminum
Optical cover/lens material	Glass
Approval and Application	
Ingress protection code	IP66 [Dust penetration-protected, jet-proof]

Vaya Flood LP Small

Mech. impact protection code	IK06 [1 J]	Order product name	BCP412 18xLED-HB/3000 100-240 10 CE CQC
Initial Performance (IEC Compliant)		EAN/UPC - Product	8718291600787
Initial LED luminaire efficacy	45 lm/W	Order code	910503703054
Init. Corr. Color Temperature	3000 K	Numerator - Quantity Per Pack	1
Init. Color Rendering Index	80	Numerator - Packs per outer box	4
Initial input power	44 W	Material Nr. (12NC)	910503703054
Application Conditions		Net Weight (Piece)	2.770 kg
Ambient temperature range	-20 to +40 °C		
Product Data			
Full product code	871829160078799		

Dimensional drawing



Vaya

