



Vaya Flood LP Small

BCP412 18xLED-HB/4000 100-240 20 CE CQC

18 pcs - LED High Brightness - Medium beam angle 20°

With budgets under pressure, property owners and developers are looking, more than ever, for value for money when it comes to capital expenditures. Vaya Flood is an affordable and reliable LED solution that minimizes the initial investment, while providing exceptional flexibility to create eye-catching, dynamic and colorful lighting effects that can bring a property to life. The robust Vaya Flood offers a wide choice of mono colors with a simple on-off switch and changing colors with a standard DMX512 controller. It is also extremely easy to install and aim.

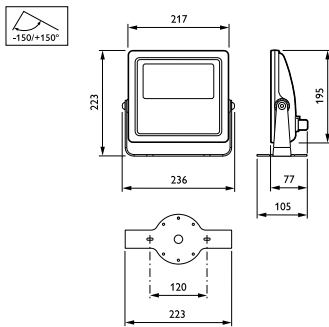
Product data

General Information		Light Technical	
Number of light sources	18 [18 pcs]	Standard tilt angle posttop	0°
Lamp family code	LED-HB [LED High Brightness]	Standard tilt angle side entry	0°
Light source replaceable	No	Operating and Electrical	
Driver included	Yes	Input Voltage	100 to 240 V
Optical cover/lens type	FG [Flat glass]	Input Frequency	50 to 60 Hz
Protection class IEC	Safety class I (I)	Controls and Dimming	
Type description	No	Dimmable	Yes
CE mark	CE mark	Mechanical and Housing	
ENEC mark	ENEC mark	Housing Material	Aluminum
UL mark	UL mark	Optical cover/lens material	Glass
CQC mark	CQC-mark	Approval and Application	
Lifetime to 70% luminous flux	50000 h	Ingress protection code	IP66 [Dust penetration-protected, jet-proof]
Optic type outdoor	Medium beam angle 20°		
PSE mark	No		
RoHS mark	-		
WEEE mark	-		

Vaya Flood LP Small

Mech. impact protection code	IK06 [1 J]	Order product name	BCP412 18xLED-HB/4000 100-240 20 CE CQC
Initial Performance (IEC Compliant)		EAN/UPC - Product	8718291383086
Initial LED luminaire efficacy	45 lm/W	Order code	910503703063
Init. Corr. Color Temperature	4000 K	Numerator - Quantity Per Pack	1
Init. Color Rendering Index	80	Numerator - Packs per outer box	4
Initial input power	44 W	Material Nr. (12NC)	910503703063
Application Conditions		Net Weight (Piece)	2.770 kg
Ambient temperature range	-20 to +40 °C		
Product Data			
Full product code	871829138308699		

Dimensional drawing



Vaya

