



Vaya Flood LP

BCP412 18xLED-HB/4000 100-240 20 CE CQC

18 pcs - LED High Brightness - Medium beam angle 20°

Vaya Flood LP (gen2) is a reliable and cost effective LED flood lighting solution for both interior and exterior use that minimizes the initial investment, while providing exceptional flexibility to create eye-catching flood, wash and accent lighting effects. A wide choice of beam angles and color options let you bring a property to life with either static or dynamically changing colors. Extended light throw and high efficacy set this compact & robust luminaire apart. Its integrated power and adjustable tilt angle make this product versatile and easy to use.

Product data

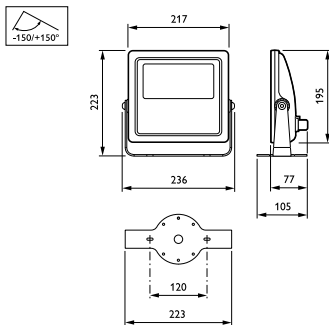
General Information	
Number of light sources	18 pcs
Lamp family code	LED-HB [LED High Brightness]
Light source replaceable	No
Driver included	Yes
Optical cover/lens type	Flat glass
Protection class IEC	Safety class I
Type description	-
CE mark	CE mark
ENEC mark	ENEC mark
UL mark	UL mark
CQC mark	CQC-mark
Lifetime to 70% luminous flux	50000 h
Optic type outdoor	Medium beam angle 20°
PSE mark	No
RoHS mark	-
WEEE mark	-

Light Technical	
Standard tilt angle posttop	0°
Standard tilt angle side entry	0°
Operating and Electrical	
Input Voltage	100 to 240 V
Input Frequency	50 to 60 Hz
Controls and Dimming	
Dimmable	Yes
Mechanical and Housing	
Housing Material	Aluminum
Optical cover/lens material	Glass
Approval and Application	
Ingress protection code	IP66 [Dust penetration-protected, jet-proof]

Vaya Flood LP

Mech. impact protection code	IK06 [1 J]	Order product name	BCP412 18xLED-HB/4000 100-240 20 CE CQC
Initial Performance (IEC Compliant)		EAN/UPC - Product	8718291383086
Initial LED luminaire efficacy	45 lm/W	Order code	910503703063
Init. Corr. Color Temperature	4000 K	Numerator - Quantity Per Pack	1
Init. Color Rendering Index	80	Numerator - Packs per outer box	4
Initial input power	44 W	Material Nr. (12NC)	910503703063
Application Conditions		Net Weight (Piece)	2.770 kg
Ambient temperature range	-20 to +40 °C		
Product Data			
Full product code	871829138308699		

Dimensional drawing



Vaya

