



eColor Graze MX Powercore

eColor Graze MX Powercore, Blue, 9° x 9° Beam Angle, 610 mm (2 ft)

Blue - 9° x 9° - 610 mm - Aluminum

Many architectural structures need a linear fixture capable of illuminating multiple storeys with minimal setback. Property owners/end users need a controllable product capable of dynamic illumination to draw attention to their establishments and emphasize their brands. Graze MX Powercore is capable of illuminating over 20 meters at very close setback distances. Powercore technology enables simple installation and long product run lengths.

Product data

General Information	
Lamp family code	LED-HB [LED High Brightness]
Light source colour	Blue
Light source replaceable	No
Driver included	Yes
Optical cover/lens type	PCC [Polycarbonate bowl/cover clear]
Luminaire light beam spread	9° x 9°
Protection class IEC	Safety class I (I)
CE mark	CE mark
UL mark	UL and cUL mark
Operating and Electrical	
Input Voltage	100 to 277 V
Input frequency	50 to 60 Hz

Controls and Dimming	
Dimmable	Yes
Mechanical and Housing	
Housing material	Aluminum extruded
Optic material	Polycarbonate
Optical cover/lens material	Polycarbonate
Length	610 mm
Colour	Aluminum
Approval and Application	
Ingress protection code	IP66 [Dust penetration-protected, jet-proof]
Mech. impact protection code	IK10 [20 J vandal-resistant]
Vibration standard	Complies with ANSI C136.31, 3G

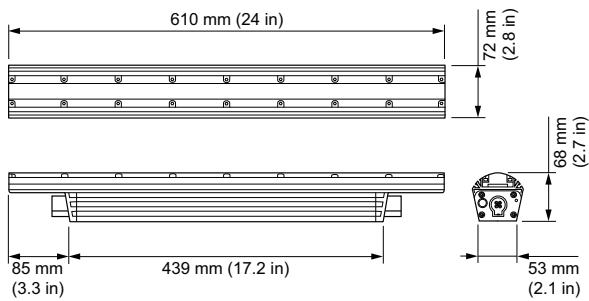
eColor Graze MX Powercore

Vibration rating	Complies with ANSI C136.31, 3G
Initial Performance (IEC Compliant)	
Initial input power	30 W
Application Conditions	
Ambient temperature range	-40 to +50 °C
Product Data	
Full product code	871829160539399
Order product name	BCS439 9 BL L609
EAN/UPC – product	8718291605393

Order code	223-000080-22
SAP numerator – quantity per pack 1	
Numerator – packs per outer box	4
SAP material	910503703412
Net Weight (Piece)	2.700 kg
Commercial Code	223-000080-22
Commercial Code	eColor Graze MX Powercore, Blue, 9° x 9° Beam Angle, 610 mm (2 ft)



Dimensional drawing



Graze

