



eColor Graze QLX Powercore

eColor Graze QLX Powercore, Red, 9° x 9° Beam Angle, 914 mm (3 ft)

Red - 9° x 9° - 914 mm - Aluminium

Many architectural structures need a linear fixture capable of illuminating several storeys with minimal setback and reduced power consumption. Property owners/end users need a controllable product capable of dynamic illumination to draw attention to their establishments and emphasise their brands. Graze QLX Powercore is capable of illuminating over 10 metres at very close setback distances. Powercore technology enables simple installation and long product run lengths.

Product data

General Information		Input frequency	
Lamp family code	LED-HB [LED High Brightness]	50 to 60 Hz	
Light source colour	Red	Controls and Dimming	
Light source replaceable	No	Dimmable	Yes
Driver included	Yes	Mechanical and Housing	
Optical cover/lens type	PC-UV [Polycarbonate bowl/cover UV-resistant]	Housing material	Extruded aluminium
Luminaire light beam spread	9° x 9°	Optic material	Polycarbonate
Protection class IEC	Safety class I	Optical cover/lens material	Polycarbonate
CE mark	CE mark	Length	914 mm
UL mark	UL and cUL mark	Colour	Aluminium
Lifetime to 70% luminous flux	100000 h	Approval and Application	
Operating and Electrical		Ingress protection code	IP66 [Dust penetration-protected, jet-proof]
Input Voltage	100 to 277 V	Mech. impact protection code	IK10 [20 J vandal-resistant]

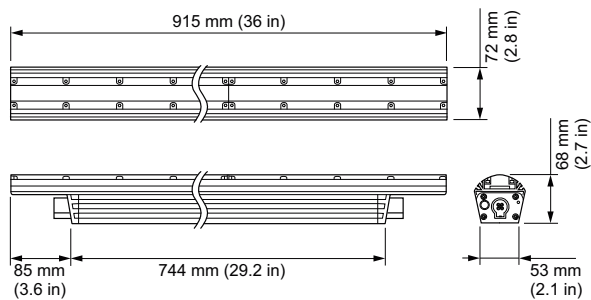
eColor Graze QLX Powercore

Vibration standard	Not compliant to ANSI C136.31, 3G. Special orders are available to conform to the standard. Please contact your Color Kinetics Lighting Sales rep for custom configurations.
Vibration rating	Not compliant to ANSI C136.31, 3G. Special orders are available to conform to the standard. Please contact your Color Kinetics Lighting Sales rep for custom configurations.
Initial Performance (IEC Compliant)	
Initial input power	42 W
Application Conditions	
Ambient temperature range	-40 to +50 °C

Product Data	
Full product code	871829160617800
Order product name	BCS447 9 RD L914
EAN/UPC – product	8718291606178
Order code	223-000081-40
SAP numerator – quantity per pack	1
Numerator – packs per outer box	1
SAP material	910503703510
Net Weight (Piece)	3.800 kg
Commercial Code	223-000081-40
Commercial Code	eColor Graze QLX Powercore, Red, 9° x 9° Beam Angle, 914 mm (3 ft)



Dimensional drawing



Graze

